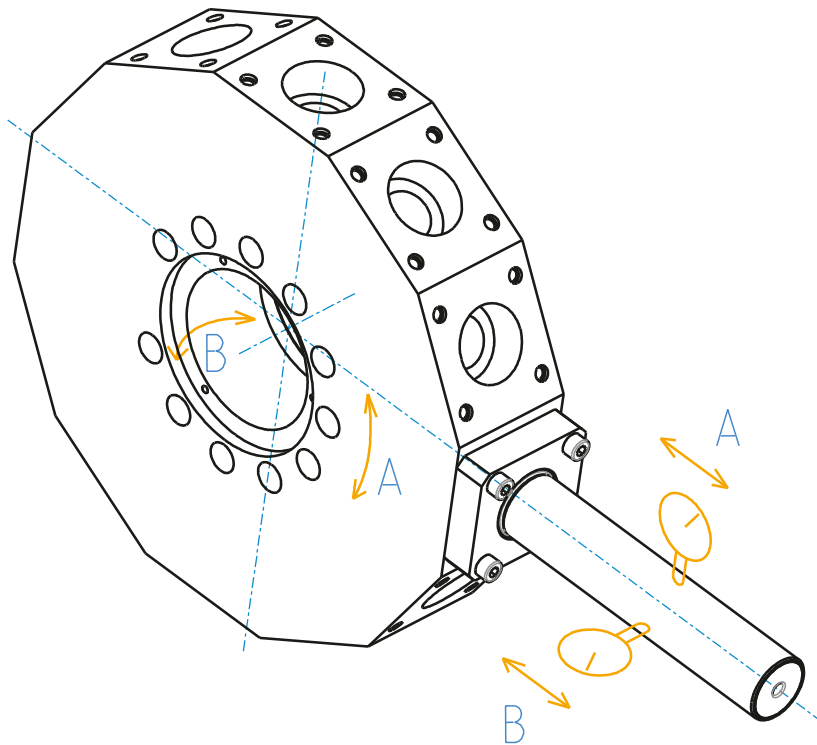
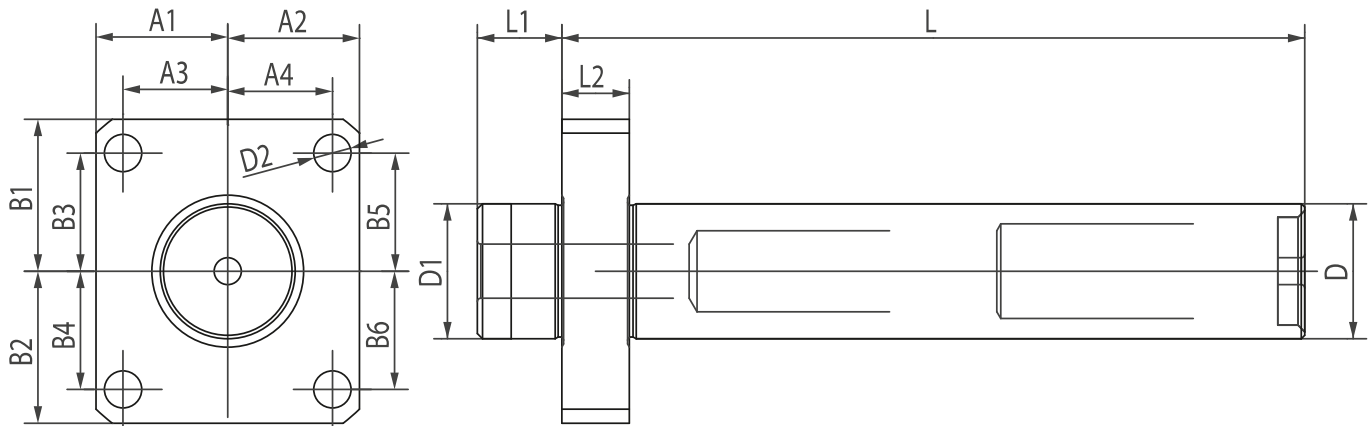


Lathe turret test bars provide an easy way to verify turret perpendicularity. Bars are installed in the turret like a standard tool. Test bars have an accuracy of 0.003mm (0.0001 inch) and include a carrying case and certificate.



Machine	Types	Order Nr.
DMG Mori	CTX310ECO-BMT / NZ1500 / NZ2000	490.137.00193
DMG Mori	NLX1500-NLX2000 / NLX2500-NLX3000 NL2000 (S)MC-2500 (S)MC / NL3000MC (12 Stations)	490.137.00194
Okuma	LB2000 EX (M, MY) / LB2500 EX (M) LB3000 EX (M, MY) / LB3000 EX (MW, MYW)	490.137.00195
Okuma	LB4000 EX (M, MY)	490.137.00196
Doosan	BMT45 - LYNX 220LM	490.137.00197
Doosan	BMT55 - PUMA230-240M / MS-280LM-1500-2000-2500M/MS/S/SY 2100 SERIES-TT1500-TT1800MS/SY / TL2000-2500LM-MX1600/2100TS LYNX 300M	490.137.00198
Doosan	BMT65 - PUMA300M/MS-V400M-TT2000SY-TT2500SY TT2500MS-2600/3100 Series / MX2000ST-MX2500T/ST/LST-VT450/TM Inverturn 3000M	490.137.00199
Doosan	BMT75 - PUMA400-480M/LM/XLM-VT 750M/TM	490.137.00200
Mazak	QTS200M	490.137.00201
Mazak	QTS300M	490.137.00202
Biglia	B301/445/470/501(Y-S)/510/545/550/565/650/658 1200/446/465/745/765-B750/1250 16 ST BV210/315	490.137.00209



Part	D	L	D1	D2	L1	L2	A1	A2	A3	A4	B1	B2	B3	B4	B5	B6
490.137.00193	40	220	40	11	25	20	39	39	31	31	45	45	35	35	35	35
490.137.00194	50	300	60	13	30	25	54	54	42	42	59	59	47	47	47	47
490.137.00195	50	300	60	13	30	25	47.5	47.5	36.5	36.5	50	50	26	39	39	26
490.137.00196	50	300	60	13	30	25	50	50	39	39	55	55	40	40	40	40
490.137.00197	40	220	45	9	25	20	37.5	37.5	29	29	40	40	29	29	29	29
490.137.00198	40	220	55	11	30	20	42.5	42.5	32	32	50	50	32	32	32	32
490.137.00199	50	300	65	13	30	25	47.5	47.5	36.5	36.5	55	55	35	35	35	35
490.137.00200	50	300	75	13	30	25	56	56	45	45	57.5	57.5	45	45	45	45
490.137.00201	40	225	68	9	25	25	42	42	34	34	55	75	45	65	45	65
490.137.00202	50	325	80	11	27	25	50	50	36	36	74.5	100	60	85	60	85
490.137.00209	40	220	55	11	30	20	42	42	31.5	31.5	45	45	32.5	32.5	32.5	32.5

