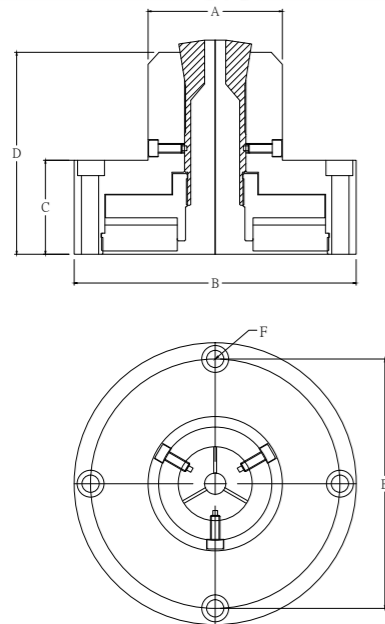


## JAS-PL Stationary Chuck

- Steel chuck body.
- Pull back to close: high precision.
- Adopting 5C / 16C collets.
- High resistant to chips, fluid and dust.
- High accuracy. High rigidity.

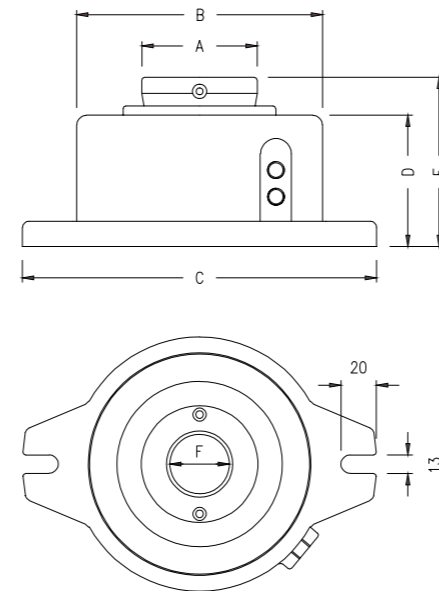


### JAS-PL Dimension

Model	JAS-5C-PL	JAS-16C-PL
A	70 (2.76")	90 (3.54")
B	147 (5.79")	178 (7.00")
C	49 (1.93")	49 (1.93")
D	105 (4.13")	126 (4.96")
E	130 (5.12")	158 (6.22")
F (Bolts)	4H-M8	4H-M8
Collet	5C Collet	16C Collet
Operating Pressure	3-8kg/cm <sup>2</sup> (43-114psi)	3-8kg/cm <sup>2</sup> (43-114psi)
Max. Capacity	26mm (1.02")	40mm (1.57")
Piston Area	88cm <sup>2</sup> (13.7in <sup>2</sup> )	131cm <sup>2</sup> (20.3in <sup>2</sup> )
Gripping Force	3175kgf@7kg/cm <sup>2</sup> (6985lbf@100psi)	4725kgf@7kg/cm <sup>2</sup> (10395lbf@100psi)
Net Weight	6.5kgs (14.3lbs)	12.5kgs (27.5lbs)

## CAF Stationary Chuck

- Cast iron chuck body.
- Dead length design: no axial movement.
- Cost effective stationary collet chuck.
- High resistant to chips, fluid and dust.
- High rigidity. Long product life.



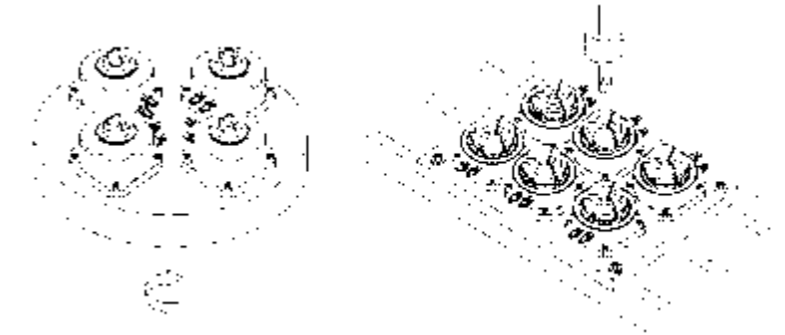
### CAF Dimension

Model	CAF-25	CAF-40	CAF-70
A	60 (2.36")	94 (3.70")	136 (5.35")
B	162 (6.38")	196 (7.72")	216 (8.50")
C	222 (8.74")	256 (10.08")	291 (11.46")
D	73 (2.87")	96 (3.78")	103 (4.06")
E	103 (4.06")	124 (4.88")	135 (5.31")
F	26 (1.02")	48 (1.89")	68 (2.68")
Collet / Jaw	YB-25 Collet	C-40 Jaw	C-70 Jaw
Air / Hydro	Air / Hydro	Air	Air
Operating Pressure	3-15kg/cm <sup>2</sup> (43-214psi)	3-8kg/cm <sup>2</sup> (43-114psi)	3-8kg/cm <sup>2</sup> (43-114psi)
Max. Capacity	26mm (1.02")	45mm (1.77")	68mm (2.68")
Gripping Torque	6kgf-m (43lbf-ft)	6kgf-m (43lbf-ft)	7kgf-m (50lbf-ft)
Net Weight	9.0kgs (19.8lbs)	14.0kgs (30.8lbs)	23.0kgs (50.6lbs)

## JAS/JHS Stationary Chuck

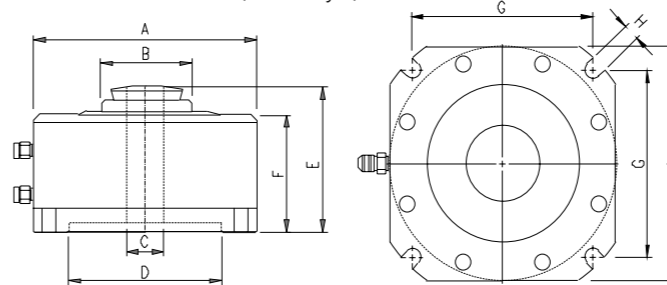


- Cost effective stationary collet chuck.
- Dead length design: no axial movement.
- High accuracy. High rigidity. Long product life.
- High resistant to cutting chips, fluid or dust.
- Chuck force-opening design ensures no workpart jamming.

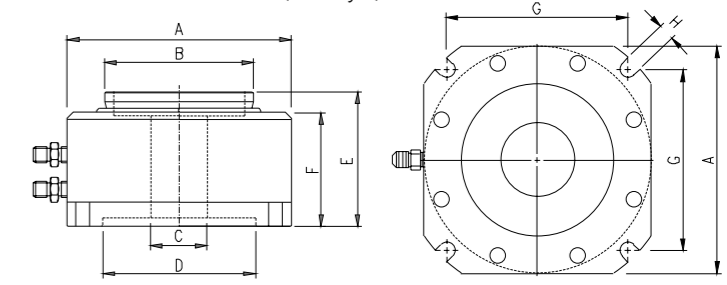


### JAS/JHS Dimension and Specification

JAS-15/JAS-25/JAS-5C (Collet Style)



JAS-40/JHS-40/JHS-70 (Jaw Style)



Model	JAS-15	JAS-25	JAS-5C	JAS-40	JHS-40	JHS-70
A	118 (4.65")	144 (5.67")	144 (5.67")	168 (6.61")	144 (5.67")	190 (7.48")
B	40 (1.57")	55 (2.17")	55 (2.17")	95 (3.74")	95 (3.74")	136 (5.35")
C	14 (0.55")	26 (1.02")	26 (1.02")	38 (1.50")	38 (1.50")	68 (2.68")
D	90 (3.54")	100 (3.94")	100 (3.94")	100 (3.94")	100 (3.94")	155 (6.10")
E	77 (3.03")	108 (4.25")	93 (3.66")	97 (3.82")	94 (3.70")	95 (3.73")
F	64 (2.52")	74 (2.91")	74 (2.91")	77 (3.03")	73 (2.87")	74 (2.91")
G	97 (3.82")	118 (4.65")	118 (4.65")	136.5 (5.37")	118 (4.65")	153.5 (6.04")
H	9 (0.35")	9 (0.35")	9 (0.35")	11 (0.43")	9 (0.35")	11 (0.43")
Collet / Jaw	YB-15 Collet	YB-25 Collet	5C Collet	C-40 Jaw	C-40 Jaw	C-70 Jaw
Air / Hydro	Air / Hydraulic	Air / Hydraulic	Air / Hydraulic	Air	Hydraulic	Hydraulic
Pressure	3-15kg/cm <sup>2</sup> (43-214psi)	3-15kg/cm <sup>2</sup> (43-214psi)	3-15kg/cm <sup>2</sup> (43-214psi)	3-8kg/cm <sup>2</sup> (43-114psi)	3-20kg/cm <sup>2</sup> (43-286psi)	3-20kg/cm <sup>2</sup> (43-286psi)
Max. Capacity	14mm (0.56")	26mm(1.02")	26mm(1.02")	38mm(1.50")	38mm(1.50")	68mm(2.68")
Piston Area	79cm <sup>2</sup> (12.2in <sup>2</sup> )	112cm <sup>2</sup> (17.4in <sup>2</sup> )	112cm <sup>2</sup> (17.4in <sup>2</sup> )	240cm <sup>2</sup> (37.2in <sup>2</sup> )	86cm <sup>2</sup> (13.3in <sup>2</sup> )	110cm <sup>2</sup> (17.1in <sup>2</sup> )
Clamping Force	2850kgf@7kg/cm <sup>2</sup> (6260lbf@100psi)	3890kgf@7kg/cm <sup>2</sup> (8550lbf@100psi)	3890kgf@7kg/cm <sup>2</sup> (8550lbf@100psi)	5090kgf@7kg/cm <sup>2</sup> (11210lbf@100psi)	5250kgf@20kg/cm <sup>2</sup> (11550lbf@286psi)	6780kgf@20kg/cm <sup>2</sup> (14920lbf@286psi)
Net Weight	5.0kgs (11.0lbs)	9.0kgs (19.8lbs)	9.0kgs (19.8lbs)	12.5kgs (27.5lbs)	8.5kgs (18.7lbs)	13.5kgs (29.7lbs)