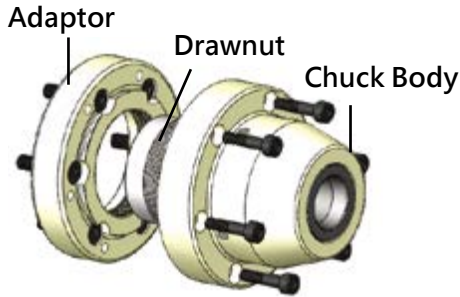




CPD

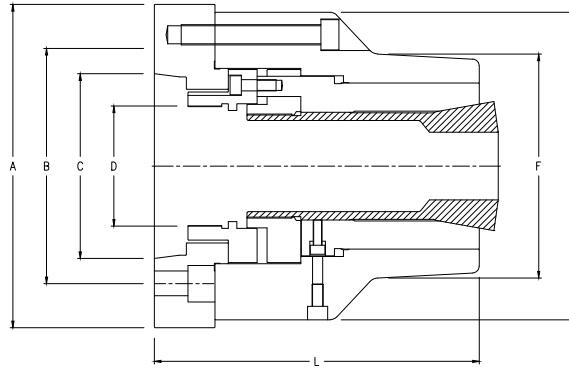
Dead-Length Collet Chuck

- Adops 5C / 16C collets.
- 5C Collet: max. capacity 26mm.
- 16C Collet: max. capacity 40mm.



JATO offers a blank drawnut when shipping the chuck. Customers could thread the drawnut according to the drawtube of the machine.

CPD Collet Chuck Dimension



| Model | CPD-5CA5 | CPD-5CA6 | CPD-16CA5 | CPD-16CA6 |
|------------------|----------------------|----------------------|----------------------|----------------------|
| Spindle Nose | A2-5 | A2-6 | A2-5 | A2-6 |
| A | 138 (5.43") | 158 (6.22") | 138 (5.43") | 158 (6.22") |
| B (P.C.D) | 104.8 (4.13") | 133.4 (5.25") | 104.8 (4.13") | 133.4 (5.25") |
| C | 82.6 (3.25") | 106.4 (4.19") | 82.6 (3.25") | 106.4 (4.19") |
| D (for Drawtube) | M73 x P1.5 | M73 x P1.5 | M91 x P1.5 | M91 x P1.5 |
| E | 100 (3.94") | 100 (3.94") | 138 (5.43") | 138 (5.43") |
| F | 78 (3.07") | 78 (3.07") | 90 (3.54") | 90 (3.54") |
| L | 123 (4.84") | 125 (4.92") | 145 (5.71") | 148 (5.83") |
| Mounting Bolts | 6H-M10 | 6H-M12 | 6H-M10 | 6H-M12 |
| Collet Model | 5C | 5C | 16C | 16C |
| Max. Pull Force | 1800kgf (3900lbf) | 1800kgf (3900lbf) | 2300kgf (5060lbf) | 2300kgf (5060lbf) |
| Max. RPM | 6000 | 6000 | 5000 | 5000 |
| Net Weight | 8.0kgs (17.6lbs) | 9.0kgs (19.8lbs) | 10.0kgs (22lbs) | 12.0kgs (26.4lbs) |

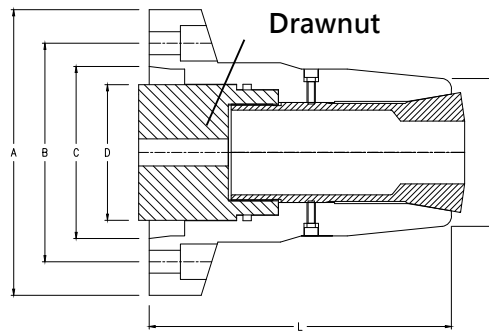
CPB

Pull Back Collet Chuck

- Adops 5C / 16C collets.
- 5C Collet: max. capacity 26mm.
- 16C Collet: max. capacity 40mm.
- Pull back design. High accuracy.



CPB Collet Chuck Dimension



| Model | CPB-5CA5 | CPB-5CA6 | CPB-16CA5 | CPB-16CA6 |
|------------------|----------------------|----------------------|----------------------|----------------------|
| Spindle Nose | A2-5 | A2-6 | A2-5 | A2-6 |
| A | 137 (5.39") | 166 (6.54") | 137 (5.39") | 166 (6.54") |
| B (P.C.D) | 104.8 (4.13") | 133.4 (5.25") | 104.8 (4.13") | 133.4 (5.25") |
| C | 82.6 (3.25") | 106.4 (4.19") | 82.6 (3.25") | 106.4 (4.19") |
| D (for Drawtube) | Max.M58 | Max.M65 | Max.M58 | Max.M65 |
| F | 60 (2.36") | 60 (2.36") | 80 (3.15") | 80 (3.15") |
| L | 122 (4.80") | 122 (4.80") | 145 (5.71") | 145 (5.71") |
| Mounting Bolts | 3H-M10 | 3H-M12 | 6H-M10 | 6H-M12 |
| Collet Model | 5C | 5C | 16C | 16C |
| Max. Pull Force | 1800kgf (3900lbf) | 1800kgf (3900lbf) | 2300kgf (5060lbf) | 2300kgf (5060lbf) |
| Max. RPM | 6000 | 6000 | 5000 | 5000 |
| Net Weight | 5.0kgs (11.0lbs) | 7.5kgs (16.5lbs) | 5.5kgs (12.1lbs) | 10.0kgs (22.0lbs) |