



Rotary Power Chuck

- Self-Contained Power Chuck. No need for an extra rotary actuator.
- Aluminum alloy chuck body, light-weighted, good heat dispensation.
- Allows non-stop operation when loading/unloading parts.
- Widely applied to convert manual lathes into powered ones. Refer to the following figure.



Application: Rotary Power Chuck can be front-mounted onto a manual lathe to increase its production efficiency.

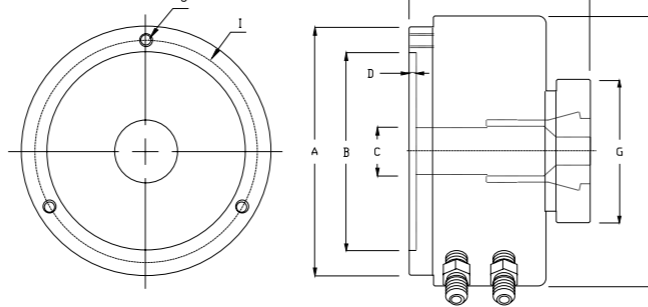


Introduction

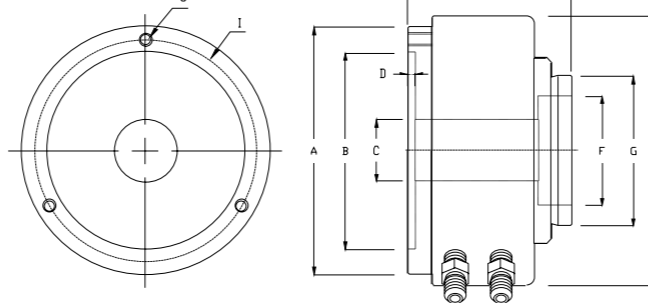
It used to be complex for users to convert a manual lathe into one with power workholding device since setting up a hydraulic system is quite troublesome. JATO Rotary Power Chuck is specially designed to help users to set up a power chuck in a low cost and easy way. With its built-in rotary actuator, the Rotary Power Chuck can be installed and start working in less than 20 minutes.

Rotary Power Chuck comes with both air chuck and hydraulic chuck models that range from small sizes to large ones, giving users more options to choose from. Rotary Power Chuck now is widely applied to convert manual lathes to semi-auto ones with power workholding system, or is applied to build special purpose machines.

Collet Style Chuck



Jaw Style Chuck



Collet Style Power Chuck

Model	JA7-44	JH7-44
A	192 (7.56")	192 (7.56")
B	155 (6.10")	155 (6.10")
C	44 (1.73")	44 (1.73")
D	5 (0.20")	5 (0.20")
E	135 (5.31")	135 (5.31")
F	-	-
G	107 (4.21")	107 (4.21")
H	212 (8.35")	212 (8.35")
I (P.C.D)	172 (6.77")	172 (6.77")
J	3H-M10 (rear)	3H-M10 (rear)
Collet / Jaw Model	C-44 Collet	C-44 Collet
Air / Hydraulic	Air	Hydraulic
Operating Pressure	2-20kg/cm ² (28-286psi)	2-20kg/cm ² (28-286psi)
Max. R.P.M.	1600	1600
Max. Capacity (through/none)	44mm (1.73")	44mm (1.73")
Piston Area	117cm ² (18in ²)	117cm ² (18in ²)
Gripping Force	5400kgf@16kg/cm ² (12020lbf@229psi)	10800kgf@16kg/cm ² (24040lbf@229psi)
Net Weight	17kgs (37.4lbs)	17kgs (37.4lbs)

Jaw Style Power Chuck - Air

JA5-25	JA7-40	JA7-70
135 (5.31")	192 (7.56")	192 (7.56")
100 (3.94")	155 (6.10")	155 (6.10")
25 (0.98")	45 (1.77")	68 (2.68")
4.0 (0.16")	4.5 (0.18")	5.0 (0.20")
102 (4.02")	126 (4.96")	141 (5.55")
45 (1.77")	65 (2.56")	105 (4.13")
68 (2.68")	94 (3.70")	136 (5.35")
170 (6.69")	212 (8.35")	265 (10.43")
115 (4.53")	172 (6.77")	172 (6.77")
3H-M8 (rear)	3H-M10 (rear)	3H-M10 (rear)
C-25 Jaw	C-40 Jaw	C-70 Jaw
Air	Air	Air
2-9kg/cm ² (28-130psi)	2-9kg/cm ² (28-130psi)	2-9kg/cm ² (28-130psi)
1800	1600	1400
25mm/32mm (0.98"/1.26")	45mm/50mm (1.77"/1.97")	68mm/90mm (2.68"/3.54")
115cm ² (17.8in ²)	182cm ² (28.2in ²)	329cm ² (50.8in ²)
2254kgf@7kg/cm ² (4958lbf@100psi)	3567kgf@7kg/cm ² (7847lbf@100psi)	6429kgf@7kg/cm ² (14143lbf@100psi)
7.5kgs (16.5lbs)	15.0kgs (33.0lbs)	22.5kgs (49.5lbs)

Jaw Style Power Chuck - Hydraulic

Model	JH5-25	JH7-40	JH7-70	JH9-90	JH9-120
A	135 (5.31")	192 (7.56")	192 (7.56")	230 (9.06")	229 (9.02")
B	100 (3.94")	155 (6.10")	155 (6.10")	190 (7.48")	190 (7.48")
C	25 (0.98")	45 (1.77")	68 (2.68")	88 (3.52")	118 (4.65")
D	4.0 (0.16")	4.5 (0.18")	5.0 (0.20")	5.5 (0.22")	5.5 (0.22")
E	102 (4.02")	126 (4.96")	141 (5.55")	150 (5.91")	157 (6.18")
F	45 (1.77")	65 (2.56")	105 (4.13")	105 (4.13")	140 (5.51")
G	68 (2.68")	94 (3.70")	136 (5.35")	136 (5.35")	168 (6.61")
H	138 (5.43")	190 (7.48")	211 (8.31")	232 (9.13")	275 (10.83")
I (P.C.D)	115 (4.53")	172 (6.77")	172 (6.77")	210 (8.27")	210 (8.27")
J	3H-M8 (rear)	3H-M10 (rear)	3H-M10 (rear)	3H-M12 (rear)	3H-M12 (rear)
Collet / Jaw Model	C-25 Jaw	C-40 Jaw	C-70 Jaw	C-90 Jaw	C-120 Jaw
Air / Hydraulic	Hydraulic	Hydraulic	Hydraulic	Hydraulic	Hydraulic
Operating Pressure	10-25kg/cm ² (143-357psi)	10-20kg/cm ² (143-286psi)	10-20kg/cm ² (143-286psi)	10-15kg/cm ² (143-214psi)	10-15kg/cm ² (143-214psi)
Max. R.P.M.	1800	1600	1400	1100	900
Max. Capacity (through/none)	25mm/32mm (0.98"/1.26")	45mm/50mm (1.77"/1.97")	68mm/90mm (2.68"/3.54")	88mm/88mm (3.52"/3.52")	118mm/118mm (4.65"/4.65")
Piston Area	56cm ² (8.68in ²)	85cm ² (13.1in ²)	117cm ² (18.1in ²)	133cm ² (20.7in ²)	183cm ² (28.4in ²)
Gripping Force	2508kgf@16kg/cm ² (5519lbf@228psi)	4032kgf@16kg/cm ² (8870lbf@228psi)	5197kgf@16kg/cm ² (11433lbf@228psi)	5913kgf@16kg/cm ² (13009lbf@228psi)	6148kgf@12kg/cm ² (13528lbf@171psi)
Net Weight	6.0kgs (13.2lbs)	13.0kgs (28.6lbs)	18.0kgs (39.6lbs)	24.0kgs (52.8lbs)	30.0kgs (66.0lbs)