

JAP200 Pneumatic Collet Chuck

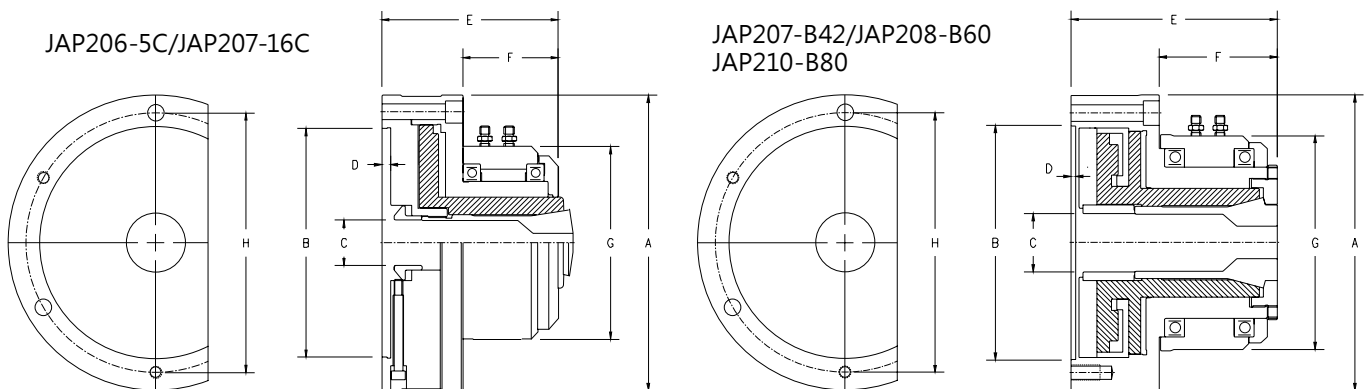


- Precision collet chuck with built-in rotary air cylinder.
- No need to install an extra cylinder, a draw tube or an air feeder.
- Chuck models for 5C, 16C, B42, B60 or B80 collets.
- Chucks are with through hole for bar parts.
- Self-lock design on the close side to offer high safety.
- High resistance to coolant fluid and chips penetration.

Introduction

JATO JAP200 Cylinder Integrated Air Collet Chuck provides you with irreplaceable convenience to set up your power collet chuck system. JAP200 Collet Chuck integrates itself a high speed rotary cylinder, saving you from installing an extra cylinder, a drawtube or an air feeder. With its real front-mounting design, the installation for a power collet chuck system is revolutionarily easier than ever.

Dimension and Specification



Model	JAP206-5C	JAP207-16C	JAP207-B42	JAP208-B60	JAP210-B80
A	168 (6.61")	203 (7.99")	197 (7.76")	214 (8.43")	247 (9.72")
B	130 (5.12")	160 (6.30")	155 (6.10")	170 (6.69")	200 (7.87")
C	26 (1.02")	40 (1.57")	42 (1.65")	60 (2.36")	80 (3.15")
D	4.5 (0.18")	4.5 (0.18")	4.5 (0.18")	4.5 (0.18")	5.0 (0.20")
E	101 (3.98")	113 (4.44")	138 (5.43")	148 (5.83")	151 (5.94")
F	55 (2.17")	65 (2.56")	77 (3.03")	85 (3.35")	80 (3.16")
G	116 (4.57")	136 (5.35")	146 (5.76")	164 (6.46")	197 (7.76")
H (P.C.D.)	147 (5.79")	176 (6.93")	172 (6.77")	186 (7.32")	226 (8.90")
Mounting Bolts	4H-M8 (Front)	3H-M10(Front) + 3H-M10(Rear)	3H-M10(Front) + 3H-M10(Rear)	3H-M10(Front) + 3H-M10(Rear)	6H-M10(Front)
Collets	5C	16C	B42 (DIN6343 173E)	B60 (DIN6343 185E)	B80 (DIN6343 193E)
Max. RPM	3600	2800	2500	2000	1500
Air Pressure	3-8kg/cm ² (43-114psi)	3-8kg/cm ² (43-114psi)	3-8kg/cm ² (43-114psi)	3-8kg/cm ² (43-114psi)	3-8kg/cm ² (43-114psi)
Max. Capacity	26mm (1.02")	40mm (1.57")	42mm (1.65")	60mm (2.36")	80mm (3.15")
Piston Area	130cm ² (20.2in ²)	155cm ² (24.0in ²)	280cm ² (43.4in ²)	304cm ² (47.6in ²)	356cm ² (55.2in ²)
Gripping Force	3465kgf@7kg/cm ² (7623lbf@100psi)	4078kgf@7kg/cm ² (8971lbf@100psi)	5572kgf@7kg/cm ² (12258lbf@100psi)	6072kgf@7kg/cm ² (13358lbf@100psi)	7040kgf@7kg/cm ² (15450lbf@100psi)
Net Weight	10kgs (22lbs)	14kgs (31lbs)	17kgs (37lbs)	21kgs (46lbs)	32kgs (71lbs)