

MODEL	DN (inches)	FLOW RATE KVS (m ³ /h)	STROKE (mm)
3FIA25	1"	10	20
3FIA32	1"1/4	16	
3FIA40	1"1/2	24	
3FIA50	2"	42	
3FIA65	2"1/2	63	
3FIA80	3"	91	
3FIA100	4"	138	

TECHNICAL DATA

Type	3-way mixing globe valve
PN16 models	DN65, 100
PN40 models	DN25, 32, 40, 50, 80
Connections	Flanges UNI/DIN PN16 / PN40
Sealing type	Soft (Class VI)
Flow characteristic	Linear
Plug type	V-port
Action	To be motorized by Controlli MVE actuators. 3FIA valves are supplied already mounted with the selected MVE
Actuators	when ordering these valves and actuators please include in your order also the codes "MVEAV-10" related to the valve/ actuator assembling in our factory.
Temperature	from -30°C to +180 °C

DESCRIPTION

3FIA range consists in 3-way valve bodies to be assembled with electrical bidirectional actuator. 3FIA valves are 3-way mixing (diverting) valves for industrial use; they offer high performances with many types of fluid within a wide range of temperatures. Valves are delivered after testing and calibration and ready for a long utilize, without maintenance. 3FIA.. valves are used to control fluids in accordance to article 9 of 97/23/CE (PED) directive, in heating and cooling installations and in industrial processes; they cannot be used as safety valves.

OPTIONS

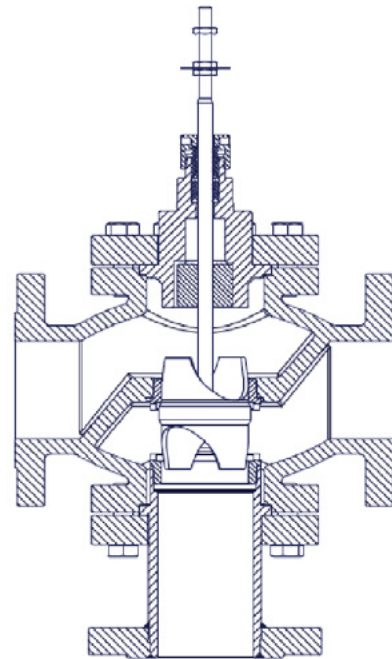
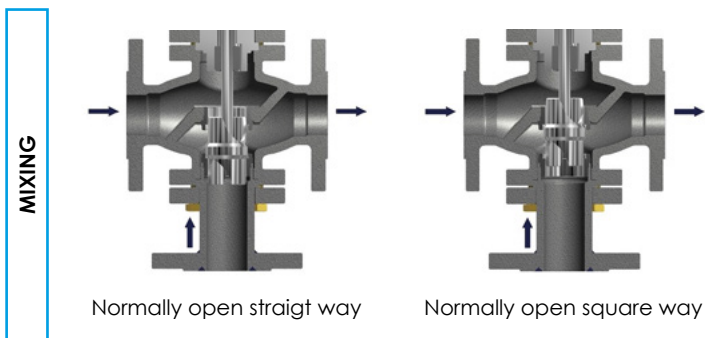
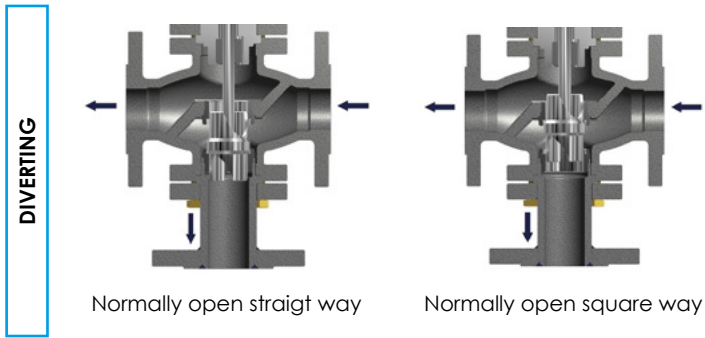
- 3-way DIVERTING (size DN40-100)
- High temperature extension (finned bonnet)
- Low temperature extension (-60°C)
- Bellows seal (double wall PN16, triple wall PN40)
- ANSI 300
- ANSI 150 (only drilling)
- Sealing type: metallic (Class IV - V)

Controlli S.p.A.
16010 Sant'Olcese (GE)
Tel. 010 73 06 1
Fax. 010 73 06 870/871
www.controlli.eu

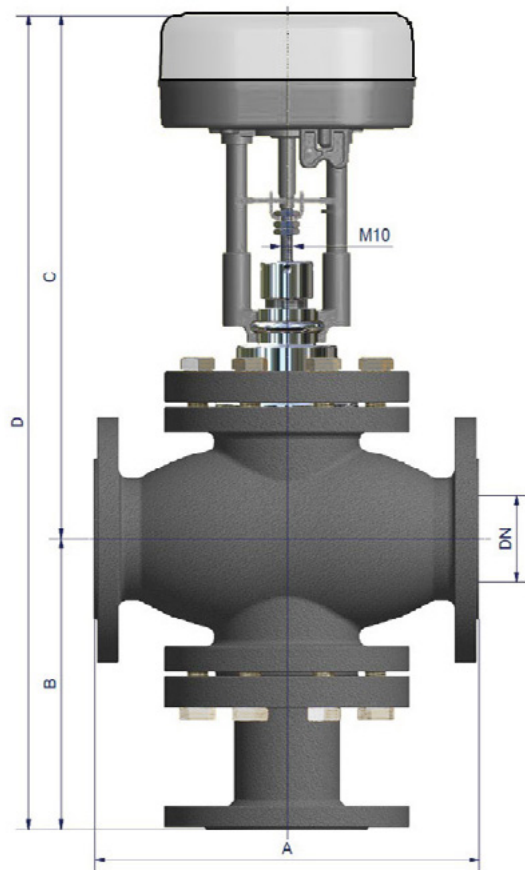


FLOW RATE COEFFICIENT		
DN	CV	KVS
25	12	10
32	18	16
40	28	24
50	48	42
65	72	63
80	105	91
100	160	138

MATERIALS	
Valve body	Stainless steel AISI 316 ASTM CF8M
Trim (plug - seat)	316L
Stem	316L
Stem packing	PTFE
Plug and Seat sealing	PTFE
Acuator	See data sheets for MVE actuator and MVH actuators
Actuator Yoke	Aluminium
Valve/actuator connection	U-bolt connection



MAX DIFFERENTIAL PRESSURE (kPa)					
Part#	DN	600N	1000N	1500N	2200N
3FIA25	25	1000			
3FIA32	32	570			
3FIA40	40	400	670		
3FIA50	50	230	390		
3FIA65	65		240	360	
3FIA80	80			290	430
3FIA100	100				240



Dimensions

PART NUMBER	DN	A	B	C	D	VALVE STROKE (mm)	NUMBER OF HOLES ON EACH FLANGE	INDICATIVE WEIGHT (kg)
3FIA25	25	160	156	354	510	20	4	22
3FIA32	32	180	156	354	510	20	4	28
3FIA40	40	200	156	354	510	20	4	30
3FIA50	50	230	166	360	526	20	4	38
3FIA65	65	290	219	395	614	20	4	54
3FIA80	80	310	220	395	615	20	8	66
3FIA100	100	350	240	417	657	20	8	90