

1D USB Barcode Accessory

ScanBuddy GS-X3 is new revolutionary 1D USB barcode accessory for Android and Windows OS platform.

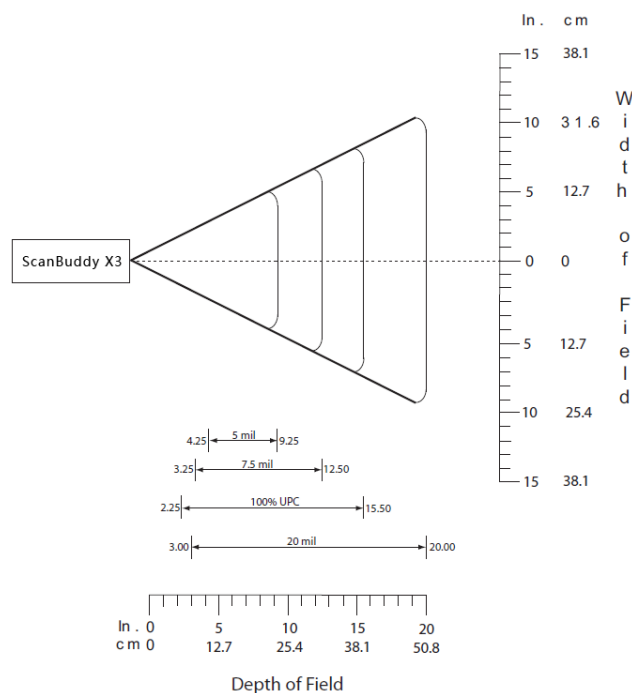
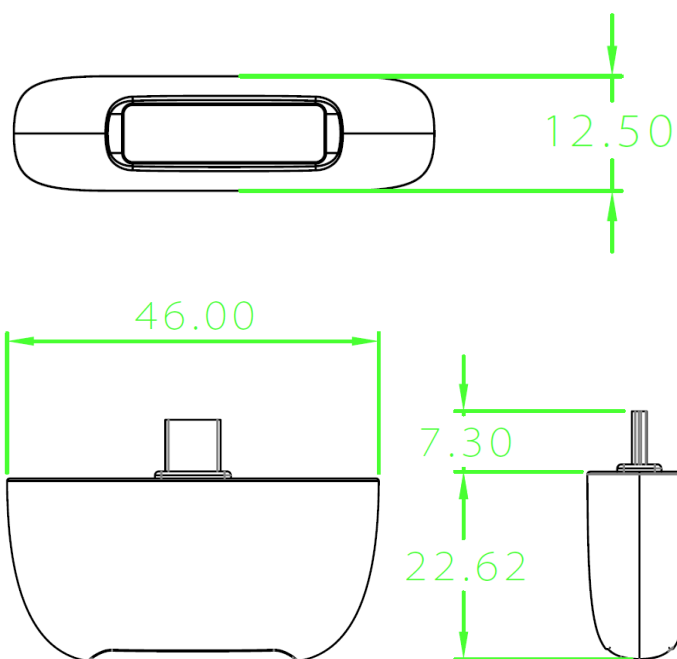
You can plug it with micro-usb into Android smartphone and tablet with USB OTG function and your smartphone will become intelligent barcode terminal immediately.

Small and slim size makes your barcode scanning work easily ,no need charging for it anymore ,plug and play .

It is the most cost-effective solution for inventory management ,POS,retail, ticket checking, healthcare system and etc .

Feature

- ◇ Generalscan high performance scan engine make barcode scanning more easily
- ◇ USB host protocol support, Plug and Play, No need install any driver for Android system
- ◇ Low power consumption, can scan barcode for above 12hours. No battery inside.
- ◇ Light weight and small size
- ◇ Fast programming trigger and communication
- ◇ Support Android smartphone and tablet with USB OTG function and Windows 8.1 X86 tablet



Dimensions : L46mm×W22.62mm×H12.5mm

Weight : 15g

Sensor Type: Linear CCD

Illumination: LED 630±30nm

Scan Speed: 50 scan/second

Scan Angle: Skew±30° , Pitch±65° , Roll±25°

Optical Resolution : 5mil

Scan Angle : 53.3° ±3°

Field of View : Horizontal :53° ±3° Vertical:0.4°

Ambient Light : 0 ft candles (0 Lux)to 10,000 ft candles(110,000Lux)

Operating Temp: -20° to 50° C

Storage Temp: -40° to 70° C

Humidity: 5%-95% non-condensing

Minimun Print Contrast : 20% MRD measured at 630nm

Interface: Micro USB Male OTG

Decode Range:

		Typical	Guaranteed
Code 128 5mil	Near	2.75 in./70 mm	3.90 in./99 mm
	Far	8.25 in./210 mm	6.25 in./159 mm
Code 39 5mil	Near	2.25 in./57 mm	3.15 in./80 mm
	Far	9.75 in./248 mm	8.00 in./203 mm
Code 39 7.5mil	Near	1.50 in./38 mm	2.50 in./64 mm
	Far	12.75 in./324 mm	10.25 in./260 mm
100% UPC-A	Near	2.00* in./51 mm	2.25 in./57 mm
	Far	15.75 in./400 mm	11.00 in./279 mm
Code 39 20mil	Near	1.50* in./38 mm	2.00* in./51 mm
	Far	24.0 in./610 mm	18.25 in./464 mm

Input Voltage:DC5 V±0.15 V

Scan Current : 165 mA

Low Power Current :115uA

Shock :2000G

Symbology :

Code128、UCC/EAN-128、AIM 128、EAN-8、EAN-13、ISBN/ISSN、UPC-E、UPC-A、Interleaved 2 of 5、ITF-6、ITF-14、Matrix 2 of 5、Industrial 25、Standard 25、Code39、Codabar、Code 93、Code 11、Plessey、MSI-Plessey、GS1-DataBarTM(RSS) (RSS-14、RSS-Limited、RSS-Expand)

Accessory : Strap , Ring smartphone holder

Warranty : 1 year

Ceritfication: CE , ROHS , WEEE Complicant



Tianjin Generalscan IOT Technology Co.; Ltd

Sales Center :

Add:Unit 2C15,Building 2, YuFeng Plaza,No.32,HeLongYi Road, HuangShi Street,Baiyun District,Guangzhou, China.510425

Tel: +86-20-36713951

Fax: +86-20-62351535

MP :+86-013556144800

Email : sales@generalscan.com

Web:www.generalscan.com