

DR24A(-SR)-7 Rotary actuator for butterfly valves

- Nominal torque 90Nm
- Nominal voltage AC/DC 24V
- Open-close Control: DR24A-7
- Modulating Control: DR24A-SR-7



DR230A-7 Rotary actuator for butterfly valves

- Nominal torque 90Nm
- Nominal voltage AC 100...240V
- Control Open-close

Technical data

Basic technical data	Nominal voltage frequency	50/60Hz
	Parallel operation	No
	Torque motor	Max. 90Nm (not constant)
	Manual override	Gear disengagement with push-button, can be locked
	Running time motor	150s / 90°
	Sound power level motor max.	45dB(A)
	Position indication	Yes
	Degree of protection IEC/EN	IP54
	EMC	CE according to 2004/108/EC
	Certification IEC/EN	Certified to IEC/EN 60730-1 and IEC/EN 60730-2-14
	Mode of operation	Type 1
	Control pollution degree	3
	Ambient temperature	-30...50°C
	Non-operating temperature	-40...80°C
	Ambient humidity	95% r.h., non-condensing
	Maintenance	Maintenance-free
	Connection flange	F07
	Weight	Approx. 3.6kg
	DR24A-7	Nominal voltage
Nominal voltage range		AC 19.2...28.8 V / DC 21.6...28.8 V
Power consumption in operation		4.5W
Power consumption at rest		2W
Power consumption for wire sizing		7VA
Connection		Cable 1m, 3 x 0.75mm ²
DR24A-SR-7	Protection class IEC/EN	III Safety extra-low voltage
	Rated current voltage	0.8kV
	Nominal voltage	AC/DC 24V
	Nominal voltage range	AC 19.2...28.8 V / DC 21.6...28.8V
	Power consumption in operation	7W
	Power consumption at rest	2W
DR230A-7	Power consumption for wire sizing	9VA
	Connection	Cable 1m, 4 x 0.75mm ²
	Protection class IEC/EN	III Safety extra-low voltage
	Rated current voltage	0.8kV
	Nominal voltage	AC 100...240V
	Nominal voltage range	AC 85...265V
	Power consumption in operation	5W
	Power consumption at rest	2W
	Power consumption for wire sizing	9VA
	Connection	Cable 1m, 3 x 0.75mm ²
	Protection class IEC/EN	II totally insulated
	Rated current voltage	4kV

Safety notes


- This actuator has been designed for use in stationary heating, ventilation and air-conditioning systems and is not allowed to be used outside the specified field of application, especially in aircraft or in any other airborne means of transport.
- Only authorised specialists may carry out installation. All applicable legal or institutional installation regulations must be complied during installation.
- The switch for changing the direction of rotation may not be adjusted.
- The angle of rotation is not permitted to be subjected to mechanical limitation. It is forbidden to alter the mechanical end stops.
- The device may only be opened at the manufacturer's site. It does not contain any parts that can be replaced or repaired by the user.
- The cables must not be removed from the device.
- For DR24A-7, the device contains electrical and electronic components and is not allowed to be disposed of as household refuse. All locally valid regulations and requirements must be observed.
- For DR230A-7, caution: power supply voltage!

Product features

High functional reliability	The actuator is overload-proof, requires no limit switches and automatically stops when the end stop is reached.
Direct mounting	Simple direct mounting on the butterfly valves with ISO 5211-F07 mounting flange. The mounting orientation with reference to the butterfly valve can be selected in 90° (angle) steps.
Manual override	For DR24A-7, Manual operation is possible with the push-button (the gearing latch remains disengaged as long as the push-button is pressed or detented). For DR24A-SR-7, manual override with push-button possible (the gear is disengaged for as long as the button is pressed or remains locked). For DR230A-7, manual override with push-button possible (the gear is disengaged for as long as the button is pressed or remains locked).
Mode of operation	For DR24A-SR-7, the actuator is connected with a standard modulating signal of DC 0 ... 10V and travels to the position defined by the positioning signal. The measuring voltage U serves for the electrical display of the actuator position 0 ... 100% and as slave control signal for other actuators.

Accessories

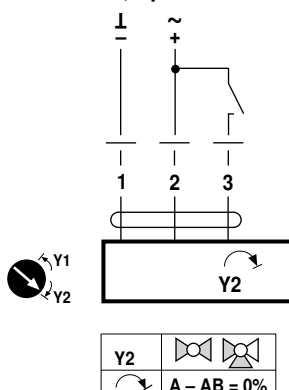
Electrical accessories	Description	Type
	Auxiliary switch, add-on, 1 x SPDT	S1A
	Auxiliary switch, add-on, 2 x SPDT	S2A
	Feedback potentiometer 140 Ohm, add-on	P140A
	Feedback potentiometer 200 Ohm, add-on	P200A
	Feedback potentiometer 500 Ohm, add-on	P500A
	Feedback potentiometer 1 kOhm, add-on	P1000A
	Feedback potentiometer 2.8 kOhm, add-on	P2800A
	Feedback potentiometer 5 kOhm, add-on	P5000A
	Feedback potentiometer 10 kOhm, add-on	P10000A

Wiring diagram

Notes

- Connection via safety isolating transformer.
- Direction of rotation switch is covered. Factory setting: Direction of rotation Y2.

DR24A-7
AC/DC 24V, open-close

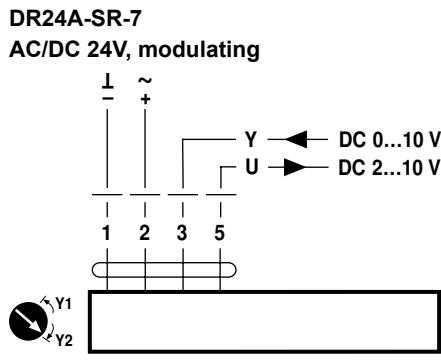

Cable colours:

- 1 = black
- 2 = red
- 3 = white

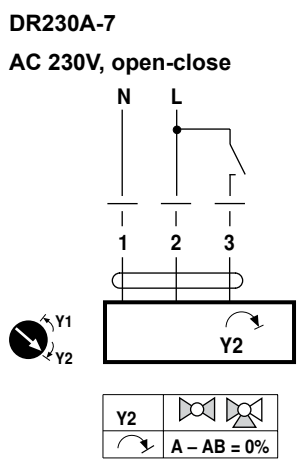
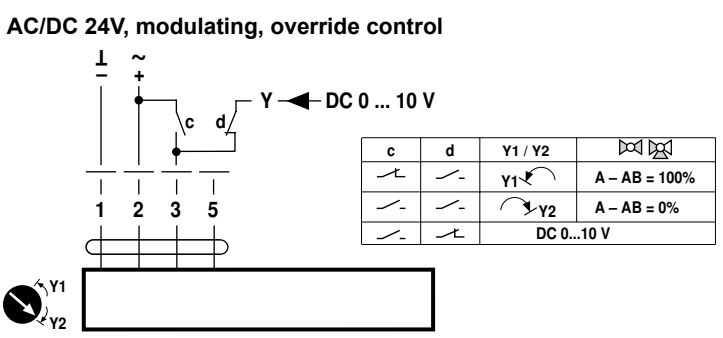
Wiring diagram

Notes

- Connection via safety isolating transformer.
- Direction of rotation switch is covered. Factory setting: Direction of rotation Y2.



Cable colours:
1 = black
2 = red
3 = white
5 = orange



Dimensions [mm]

