



RONDCOM 65B

Dedicated catalog is available.



Pursuit of perfection level as the flagship machine
High-end roundness measuring machine

RONDCOM 65B
* Offset type CNC detector holder is optional.

High accuracy

Highest rotation accuracy in this class : 0.01 μm

High throughput

Centering and tilting within 60 second. It realize high efficiency and save total measuring time.

Robust high accuracy and high rigidity structure

Gabbro with minimal susceptibility to age-related deterioration is used in the column, base and arm which guarantee top-class high accuracy over time.

Sophisticated new design

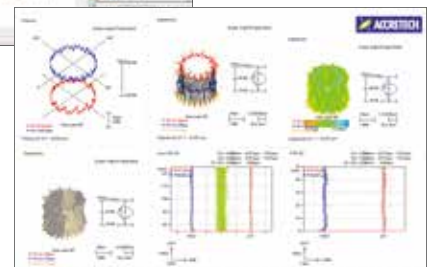
Brand-new and rich design which is worthy for flagship machine.

Offset type detector holder (Optional) **patented**

Wide variety of workpieces are measurable without interference with R-axis. Tilting the folder allows switching between the outer diameter measurement and the upper flat face measurement.

Easy-to-Use Interface for Leading-Edge Operability

ACCTee is equipped with a Windows style user interface that is easy for anyone to understand and use. User-friendly and intuitive icons guide you through a series of operations from measurement to the printing of analysis results.



Offset type CNC detector holder (Optional) **patented**

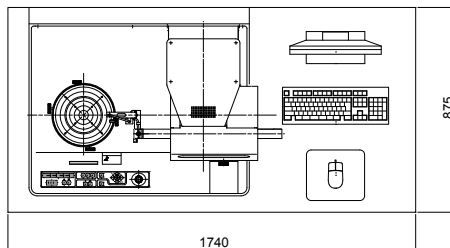
Automatic control extremely improves the measuring efficiency by controlling the detector position at inner/outer, upper/lower and taper face.



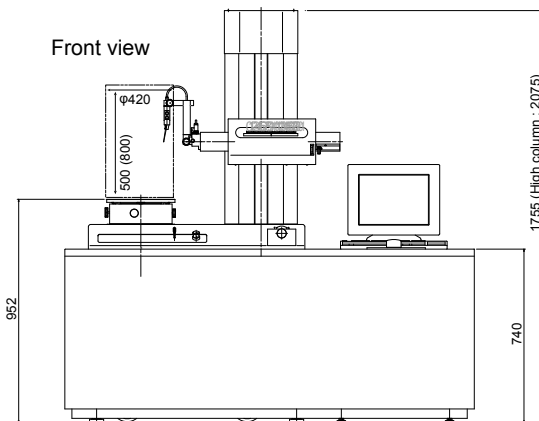
Sample of roundness measurement using the offset type CNC detector holder (option)

External view

Top view



Front view



Specifications

Model		RONDCOM 65B		
		R65B	High column model	
Measuring system		CNC and manual		
Measuring range	Max. measuring diameter	Φ 420 mm		
	Right/left feed range (R-axis)	220 mm		
	Up/down feed range (Z-axis)	500 mm	800 mm	
	Max. loading diameter	Φ 680 mm		
	Max. measuring height	500 mm	800 mm	
Max. measuring depth (Throat height)		150 mm (Limited by size of measuring diameter and combination of detector and stylus)		
Rotation accuracy	Radial direction JIS B 7451-1997	(0.01+4H/10,000)μm (H: Height from table top to measuring point mm)		
	axial direction JIS B 7451-1997	(0.03+4R/10,000)μm (R: Distance from table center to measuring point in mm)		
Straightness accuracy	Up/down (Z-axis) direction	Narrow range	0.05 μm/100 mm	
		Wide range	0.2 μm/500 mm	
	Radial direction (R-axis)	0.5 μm/200 mm		
Parallelism accuracy	Up/down direction (Z-axis)	1.5 μm/500 mm		
	Radial direction (R-axis)	0.5 μm/200 mm		
Scale indication accuracy	Radial direction (R-axis)	(2+L/220) μm L : Moving length(mm)		
Measuring speed	Rotational speed (θ-axis)	2 to 10/min (At moving : Max20/min)		
	In automatic centering/tilting	2, 4, 6, 10, 20/min		
	Up/down speed (Z-axis)	0.6 to 6 mm/s (At moving:Max30 mm/s)		
	Radial direction speed (R-axis)	0.6 to 6 mm/s (At moving:Max20 mm/s)		
Auto stop accuracy	Z-axis/R-axis	±5 μm		
Rotary table	Table outside diameter	Φ 290 mm		
	Adjustment range of centering/tilting	±5 mm/±1°		
	Load	60 kg		
Detector	Measuring force	30 to 100 mN (steplessly variable)		
	Stylus shape	Φ 1.6 mm carbide ball, Length: 53 mm		
Number of sampling		14,400 points/rotation		
Type of filter	Digital filter	Gaussian/2RC/Spline/Robust (Spline)		
Measurement magnification		50 to 100 k		
Cutoff value	Rotational direction (θ-axis)	Low pass	15, 50, 150, 500, 1500 peaks/rotation, settable any value in range 15 to 500 peaks/rotation	
		Band pass	1 to 1500 peaks/rotation	
	Rectilinear direction (Z-axis)	Low pass	0.025, 0.08, 0.25, 0.8, 2.5, 8 mm (any value in 0.0001 mm units)	
Roundness evaluation of form error		MZC (min. zone circle method), LSC (least square circle method), MIC (max. inscribed circle method), MCC (min. circumscribed circle method), N.C. (no compensation), MULTI (multiple setting)		
Measuring items	Rotational direction	Roundness, flatness, flatness (compound), parallelism, concentricity, coaxiality, cylindricity, diameter deviation, squareness, thickness variation, run-out, radius measurement, partial circle		
	Rectilinear direction	Straightness (Z), straightness (R), taper ratio, cylindricity, squareness, parallelism, diameter deviation, axis straightness		
Analysis processing functions		Notch function (level, angle, cursor), combination of roundness evaluation methods, nominal value collation, cylinder 3D profile display (line drawing, shading, contour line), real-time display, profile characteristic graph display (bearing area curve, amplitude distribution function, power spectrum), CNC automatic measuring function, automatic centering/tilting adjustment function		
Special function		Offset type CNC detector holder (option)		
Display (color monitor)		17" LCD		
Display items		Measuring conditions, measuring parameters, comments, printer output conditions, profile graphics (expansion plan, 3D plan), error messages, etc.		
Recording system		Color or laser printer can be selected		
Other	Power supply (Voltage to be specified), frequency	AC100 to 240 V ±10%, 50/60 Hz (grounding required)		
	Power consumption	Approx. 800 VA (except printer)		
	Air supply	Supply pressure	0.5 to 0.7 MPa	
		Working pressure	0.4 MPa	
		Air consumption volume	49 NL/min	
		Air supply connecting nipple to main unit	One-touch pipe joint for outer diameter Φ 8 mm hose	
Installation dimensions (W x D x H) mm	1740 x 875 x 1755	1740 x 875 x 2075		
Weight (except options)	810 kg	930 kg		

We have experience in special customization in terms of load capacity, etc. Contact the sales personnel for details.