

DS-2CD802/812/892PF(NF)(-ENS)(-W)(-D)



Key Features

- H.264 or MPEG-4 video compression with high compression ratio
- High performance SONY CCD
- **Wi-Fi optional**
- **Support dual streams, and the sub stream used for the mobile phone surveillance**
- Two-way audio
- PoE (Power over Ethernet)
- Complete function: **PTZ control, alarm and so on**

Application

The product is applicable to the corridor, street, shopping mall, hall, etc

Specification

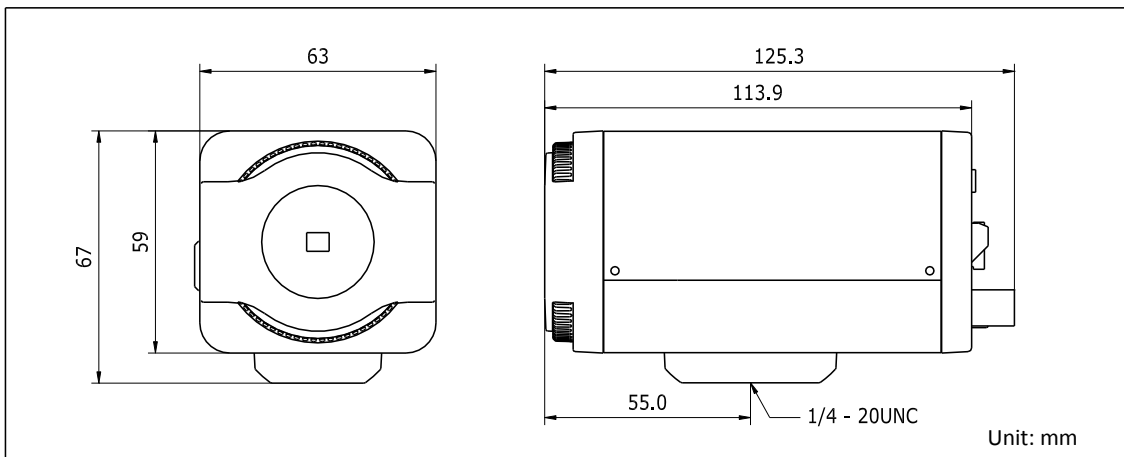
Model Parameter	DS-2CD802PF (NF) (- ENS) (-W) (-D)	DS-2CD812PF (NF) (- ENS) (-W) (-D)	DS-2CD892PF (NF) (- ENS) (-W) (-D)
	420 TVL CCD Network Box Camera	480 TVL CCD Network Box Camera	540 TVL CCD Network Box Camera
Camera			
Image Sensor	1/3" SONY CCD		
Signal System	PAL/NTSC		
Min. Illumination	0.1 Lux @ (F1.2, ACG ON)		
Shutter Time	1/50 (1/60) s to 1/100,000 s		
Lens Mount	C/CS mount		
Auto Iris	DC/Video		
Day & Night	Electronic		
Horizontal Resolution	420 TVL	480 TVL	540 TVL
Compression Standard			
Video Compression	H.264 (MPEG-4 optional)		
Bit Rate	32 Kbps - 8 Mbps		
Audio Compression	OggVorbis		
Dual Stream	Yes		
Image			
Max. Image Resolution	PAL: 704 × 576 NTSC: 704 × 480		
Frame Rate	50 HZ: 25 fps (704 × 576) 60 HZ: 30 fps (704 × 480)		
Image Settings	Saturation, Brightness, Contrast adjustable through client software or web browser		
Network			
Alarm Trigger	Motion detection		
Protocols	TCP/IP, HTTP, DHCP, DNS, RTP/RTCP, PPPoE (FTP, SMTP, NTP, SNMP optional)		
Security	Password protection		
Interface			
Audio Input	1-ch, 3.5 mm audio interface (2.0 - 2.4 Vp-p, 1 kΩ)		
Audio Output	1-ch, 3.5 mm audio interface (Line level, 600 Ω)		
Communication Interface	1 RJ45 10 M/100 M Ethernet port and 1 RS-485 interface		
Alarm Input	1		
Alarm Output	1		
Video Output	1Vp-p composite output (75 Ω/BNC)		
Local Storage	NS MODEL: NOT SUPPORT MEMORY CARD –NOT SUPPORT MEMORY SLOT – NO SUPPORT RECORDING FEATURE		
General			
Operating Conditions	-10 °C – 60 °C (14 °F – 140 °F) Humidity 90% or less (non-condensing)		
Power Supply	12 V DC ± 10% PoE (802.3af)		
Power Consumption	Max. 4 W -W: Max. 5.5 W		
Dimension	63 x 67 x 125 mm (2.48" x 2.64" x 4.92")		

Weight	650 g (1.43 lbs)
--------	------------------

Order Models

DS-2CD802PF, DS-2CD802PF-E, DS-2CD802PF-D, DS-2CD802PF-W
 DS-2CD812PF, DS-2CD812PF-E, DS-2CD812PF-D, DS-2CD812PF-W
 DS-2CD892PF, DS-2CD892PF-E, DS-2CD892PF-D, DS-2CD892PF-W
 DS-2CD802NF, DS-2CD802NF-E, DS-2CD802NF-D, DS-2CD802NF-W
 DS-2CD812NF, DS-2CD812NF-E, DS-2CD812NF-D, DS-2CD812NF-W
 DS-2CD892NF, DS-2CD892NF-E, DS-2CD892NF-D, DS-2CD892NF-W

Dimension



Accessories



- NS model Only for Argentina Market – No Memory card function
- **NS MODEL: NOT SUPPORT MEMORY CARD –NOT SUPPORT MEMORY SLOT – NO SUPPORT RECORDING FEATURE**