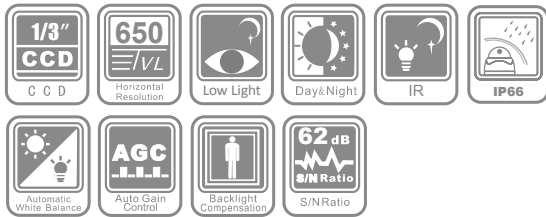


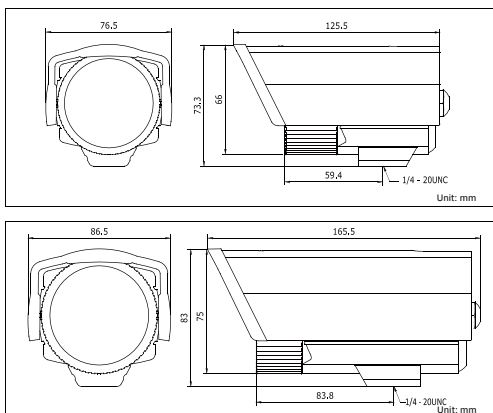
DS-2CC1192P-IR1/IR3/IR5 IR Bullet Camera



Key Features

- 650 TVL high resolution
- 1/3" Sony EXVIEW HAD CCD II
- Day / night auto switch
- Super low illumination
- Different IR range: up to 60m
- IP66 rating

Dimensions



Accessories



DS-1212ZJ-S
(Indoor wall mount)

DS-1213ZJ-S
(Outdoor wall mount)

Specifications

| DS-2CC1192P-IR1/IR3/IR5 | |
|-------------------------|--------------------------------------------------------------------------------------------------------------------------------------------------------------------------------------------------------------------------------------------------------------------|
| Camera | |
| Image sensor | 1/3" Sony EXVIEW HAD CCD II |
| Signal system | PAL |
| Effective pixels | 976 (H) × 582 (V) |
| Min. illumination | 0.001 lux @ (F1.2, AGC on), 0 lux with IR 0.002 lux @ (F1.8, AGC on), 0 lux with IR |
| Shutter time | 1/50 s to 1/100,000 s |
| Lens | -IR1: 6 mm @ F1.8 (3.6 mm, 2.8 mm optional), angle of view: 47° (6 mm) -IR3: 12 mm @ F1.8 (3.6 mm, 6 mm, 8 mm, 16 mm optional), angle of view: 22.72° (12 mm) -IR5: 16 mm @ F1.8 (3.6 mm, 6 mm, 8 mm, 12 mm optional), angle of view: 16.4° (16 mm) |
| Lens mount | M12 |
| Day & night | Electronic |
| Horizontal resolution | 650 TVL |
| Synchronization | Internal synchronization |
| Video output | 1 Vp-p composite output (75 Ω/BNC) |
| S/N ratio | More than 62 dB |
| BLC | On |
| General | |
| Operating conditions | -30 °C ~ 60 °C (-22 °F ~ 140 °F) Humidity 90% or less (non-condensing) |
| Weather proof rating | IP66 |
| IR range | -IR1: approx 10 to 20 meters -IR3: approx 30 to 40 meters -IR5: approx 50 to 60 meters |
| Power supply | 12 VDC ± 10% |
| Power consumption | -IR1: Max. 3 W -IR3: Max. 6 W -IR5: Max. 8 W |
| Dimension | -IR1: 76.5×73.3×125.5 mm (3.01" × 2.89" × 4.94") -IR3 / IR5: 86.5 × 83 × 165.5 mm (3.41" × 3.27" × 6.52") |
| Weight | -IR1: 600 g (1.32 lbs) -IR3 / IR5: 1000 g (2.20 lbs) |

Available models

DS-2CC1192P-IR1, DS-2CC1192P-IR3, DS-2CC1192P-IR5