

Overview of product

The duct type sensor with housing is used as external temperature sensor for T24-DM series controllers.



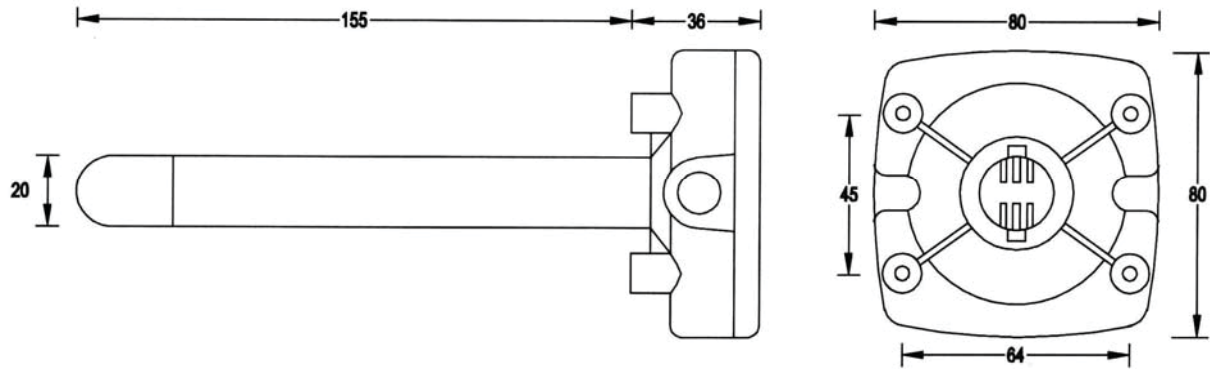
Specifications

Model	TG-M10002
Sensing element	NTC thermistor, 10kΩ@25°C
Range	0...40°C
Protection class	IP53
Wire connections	Screw-down connection
Maximum length of connection wire	20m, wire size 0.4mm ² or 22 AWG shielded twisted pair recommended
Ambient / storage temperature	0...50°C / -30...50°C
Agency approval	CE mark compliant
Shipping weight	0.24kg (0.53lb)
Dimensions	Refer dimensions diagram

Resistance versus temperature for TG-M10002

Temperature °C	Resistance Ω	Temperature °C	Resistance Ω	Temperature °C	Resistance Ω	Temperature °C	Resistance Ω
0	27280	11	17306	21	11672	31	8038
1	26234	12	16652	22	11254	32	7764
2	25188	13	15998	23	10836	33	7489
3	24142	14	15344	24	10418	34	7215
4	23096	15	14690	25	10000	35	6940
5	22050	16	14170	26	9663	36	6717
6	21232	17	13650	27	9325	37	6495
7	20414	18	13130	28	8988	38	6272
8	19596	19	12610	29	8650	39	6050
9	18778	20	12090	30	8313	40	5827
10	17960						

The performance specifications above are nominal and subject to tolerances and application variables of generally acceptable industry standards. Belimo shall not be liable for damages resulting from misapplication or misuse of its products.

Dimensions in mm**Duct type temperature sensor TG-M10002****Notes**

1. Use 22 or 24 DWG twisted pair double insulated cable as remote sensor wire. Total wire length must not exceed 20m.
2. Do not bundle or run power wire and remote sensor wire in same conduit.
3. Run remote sensor wire away from any electric motors or power wire. Failure to do so may result in poor sensor performance due to electrical noise.