



**2-way Characterised Control Valves DN65...150**  
**Equal-percentage characteristics for modulating control of cold and hot water**



**Applications**

- Water-side control of air handling units in air conditioning systems
- Water-side control in heating systems



**Technical data**

Flow medium	Cold and hot water, water with max. 50% volume of glycol	
Temp. of medium	-5...+100°C	
Rated pressure	1600kPa	
Flow characteristic	Equal percentage	
Rangeability	Sv>100	
Leakage rate	0...0.01% Kvs (ANSI Class IV) (No leakage when ex-factory)	
Pipe connector	Flanged ISO 7005-2	
Differential pressure $\Delta P_{max}$	DN65...125	350kPa (200kPa for low-noise operation)
	DN150	250kPa
Close-off pressure $\Delta P_s$	DN65...125	700kPa
	DN150	400kPa
Angle of rotation	90°	
Installation position	Upright to horizontal (in relation to the stem)	
Maintenance	Maintenance-free	
<b>Valve Material</b>		
Body	GG25, Polyester coated	
Ball	Stainless steel	
Seat	DN65...125	RPTFE
	DN150	TFM1600
Shaft	Stainless steel	
O-ring	EPDM	
Characterising disc	Stainless steel	

**Product features**

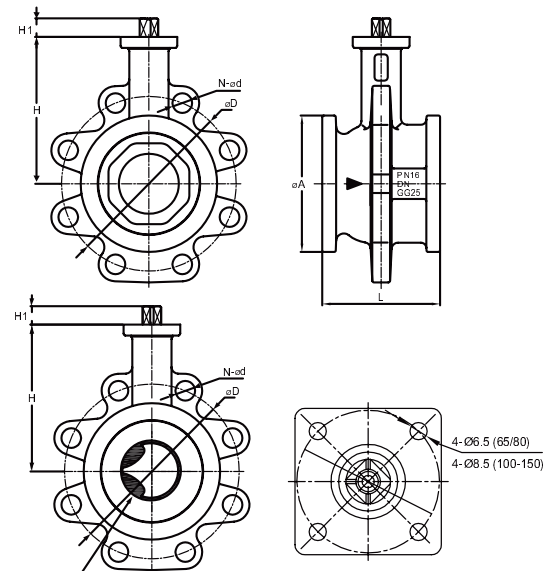
**Mode of Operation** The Characterised Control Valve is operated by a Rotary Actuator. The actuator is controlled by a standard modulating or 3-point control system and drives the ball of the valve - the throttling device - to the opening position dictated by the control signal.

**Equal-percentage characteristic** Equal-percentage characteristic of the flow rate ensured by the integral characterising disc.

**Dimensions [mm]**

**Dimensional drawings**

Valve type	DN		Dimensions[mm]						Weight [kg]
	mm	In	øA	øD	H	H1	L	N-ød	
R664AO/R665AO	65	2½"	105	145	128.0	12.0	93.0	4-18	4.8
R679AO/R680AO	80	3"	125	160	134.5	12.0	108.0	8-18	7.2
R6099AO/R6100AO	100	4"	148	180	144.0	15.5	120.0	8-18	10.5
R6124AO/R6125AO	125	5"	174	210	158.0	15.5	142.0	8-18	14
R6149AO/R6150AO	150	6"	204	240	176.5	15.5	170.0	8-22	21



Disc for Characterised Control Valve