

- General Rotary Actuators for:
- Torque:
- Multifunction control:
- Open/Close or 3-point control:

DN15...25 PICCV
5Nm
LRU24-MF (AC/DC 24V)
LRU24(-S) (AC/DC 24V)
LRU230(-S) (AC 100...240V)

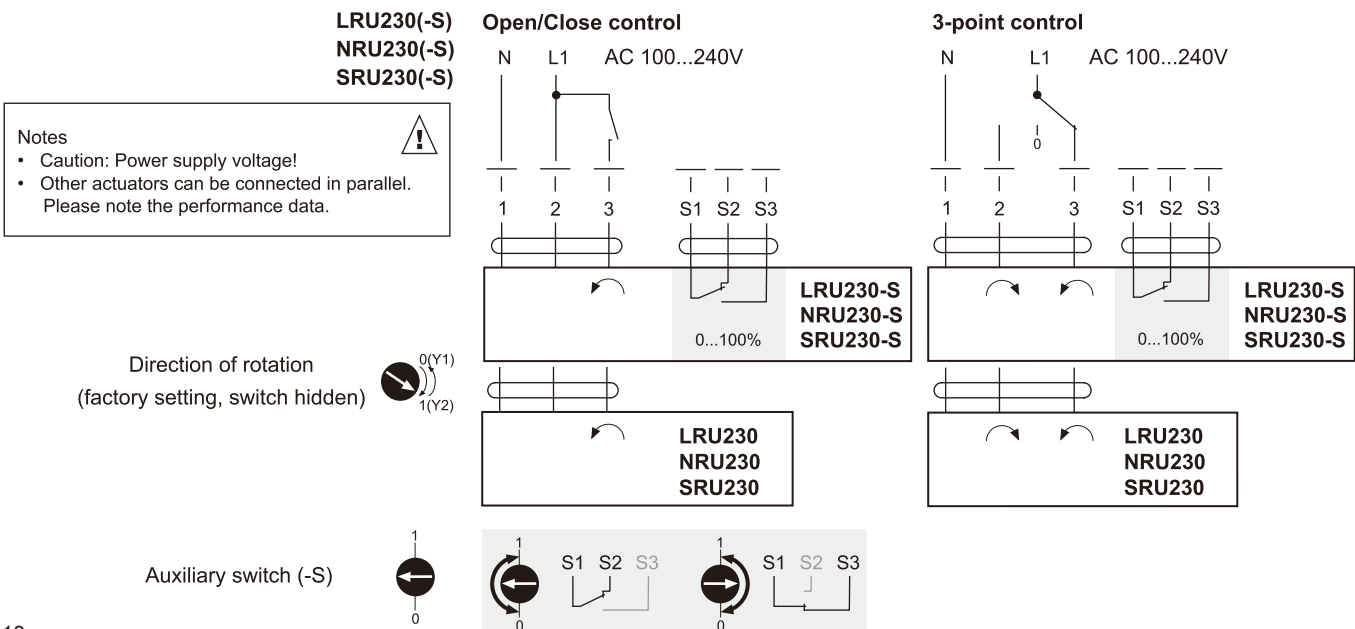
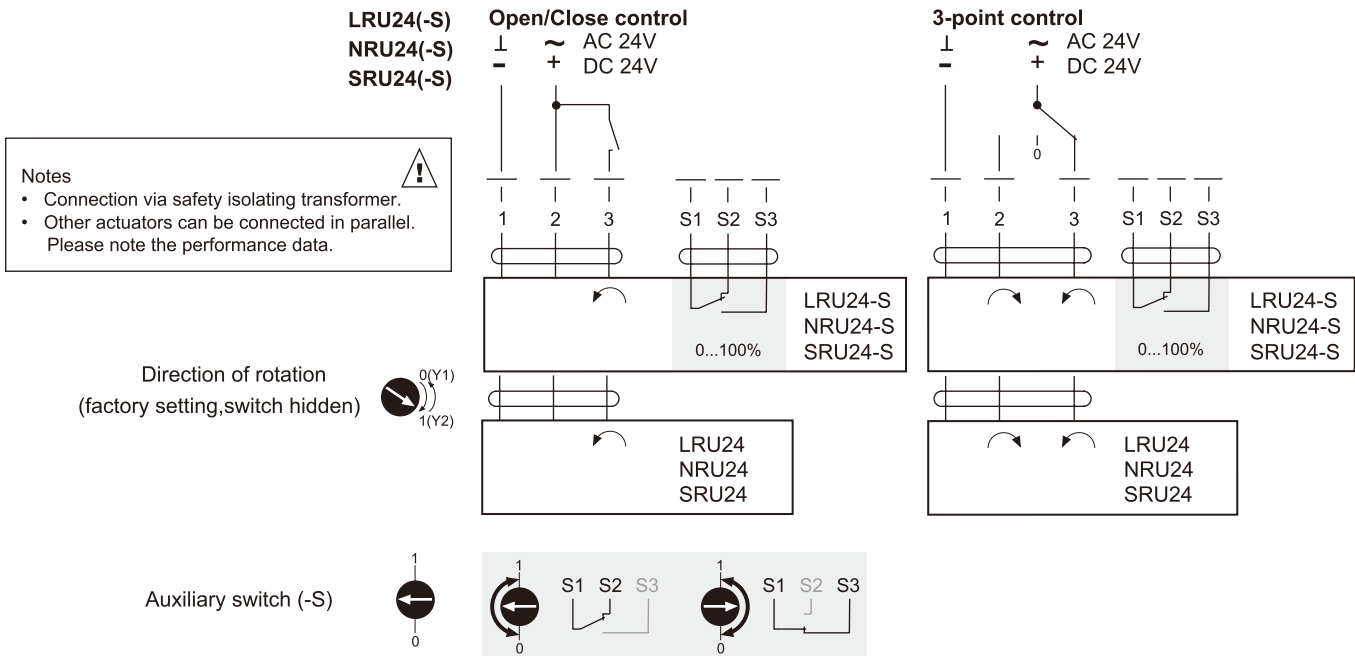

Technical data
Basic technical data

	Torque	5Nm
	Angle of rotation	90°
	Direction of rotation	CCW (setting ↺ close position)
	Sound power level	~35dB(A) (without the valve)
	Position indicator	Mechanical
	Manual override	Gearing disengaged by pressing the push button, manual operate while the button is held depressed
	Running time	90s
	Mode of operation	Type 1 (EN60730)
	Ambient temp.	0...+50°C
	Non-operation temp.	-40...+80°C
	Humidity	5...95% RH, non-condensing
	Degree of protection	IP54
	EMC	CE according to 89/336/EEC
	Low voltage directive	CE according to 73/23/EWG
	Maintenance	Maintenance-free
LRU24-MF	Nominal voltage	AC 24V 50/60Hz, DC 24V
	Nominal voltage range	AC 19.2...28.8V / DC 21.6...28.8V
	Power consumption - running	2W
	- holding	1.2W
	For transformer sizing	3.5VA
	Connecting cable	Cable 1m, 4x0.75mm ²
	Control signal Y	DC (0)2...10V @ input impedance 100kΩ
	Working range	DC 0...10V
	Position feedback signal U	DC 2...10V max. 0.5mA
	Position accuracy	±5%
	Protection class	III (safety extra-low voltage)
	Weight	Approx 0.5kg
LRU24(-S)	Nominal voltage	AC 24V 50/60Hz, DC 24V
	Nominal voltage range	AC/DC 19.2...28.8V
	Power consumption - running	1W
	- holding	0.2W
	For transformer sizing	2VA
	Connecting cable - motor	Cable 1m, 3x0.75mm ²
	- auxiliary switch	Cable 1m, 3x0.75mm ²
	Protection class	III (safety extra-low voltage)
	Auxiliary switch (LRU24-S)	1XSPDT, 1mA...3(0.5)A, AC 250V 0...100% adjustable
	Weight	Approx 0.6kg
LRU230(-S)	Nominal voltage	AC 100...240V 50/60Hz
	Nominal voltage range	AC 85...265V
	Power consumption - running	1.5W
	- holding	0.4W
	For transformer sizing	4VA
	Connecting cable - motor	Cable 1m, 3x0.75mm ²
	- auxiliary switch	Cable 1m, 3x0.75mm ²
	Protection class	II (totally insulated)
	Auxiliary switch (LRU230-S)	1XSPDT, 1mA...3(0.5)A, AC 250V 0...100% adjustable
	Weight	Approx 0.6kg

Product features

Mode of operation	LRU24-MF, NRU24-MF, SRU24-MF is controlled by means of a standard control signal DC (0)2...10V and travels to the position defined by this signal. The measuring voltage U allows the valve position (0...100%) to be electrically indicated and serves as a follow-up control signal for other actuators.
Simple direct mounting	Simple direct mounting on the PICCV with the actuator integrated bracket.
Adjustable angle of rotation	Adjustable angle of rotation with mechanical end stops. - MF with ZTH & PC-tool
High functional reliability	The actuator is overload-proof, requires no limit switches and automatically stops when the end stop is reached.
Flexible Signalisation	Flexible Signalisation of the LRU..-S, NRU..-S, SRU..-S with adjustable auxiliary switch (0...100%).
MP-Bus Communication	LR24A-MP, NR24A-MP, SR24A-MP support on MP-Bus Communication

Wiring diagrams



Wiring diagrams (continued)

**LRU24-MF
NRU24-MF
SRU24-MF**

Notes

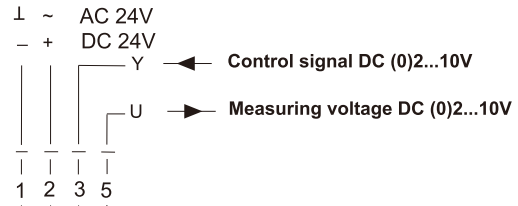
- Connection via safety isolating transformer.
- Other actuators can be connected in parallel. Please note the performance data.



Direction of rotation
(factory setting, switch hidden)

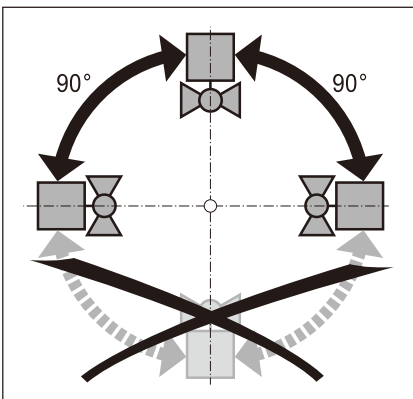
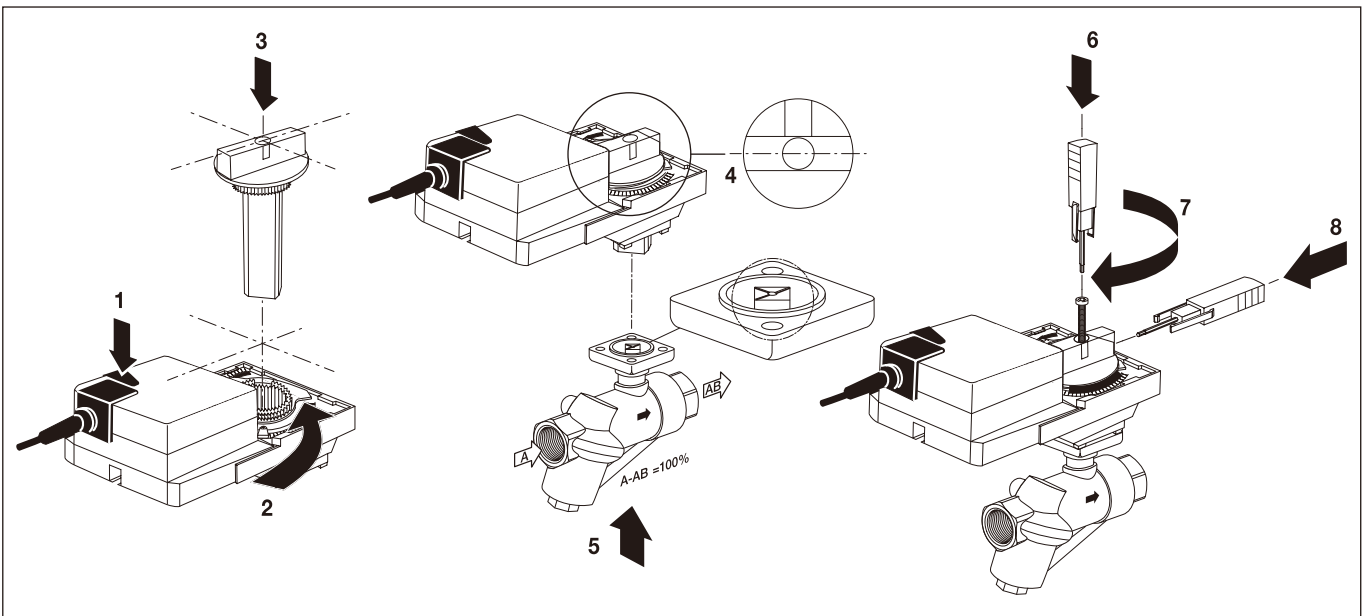


Modulating control



**LRU24-MF
NRU24-MF
SRU24-MF**

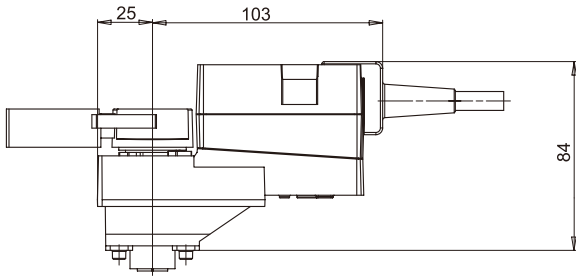
Mounting instructions



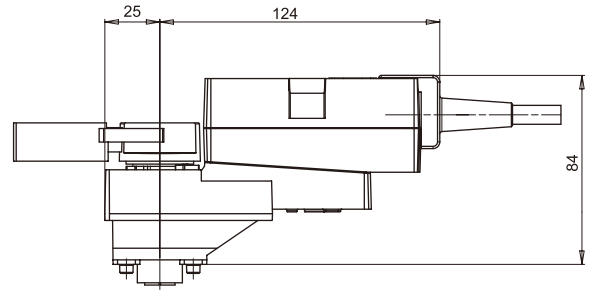
Notes:

1. The valve assembly can be installed in a vertical or horizontal arrangement, as long as the actuator is positioned to avoid condensation from dripping on the actuator.
2. PICCV shall be installed, with flow in the direction of the arrow on the valve body. If installed backwards, there could be damage to either the diaphragm or the regulator top.

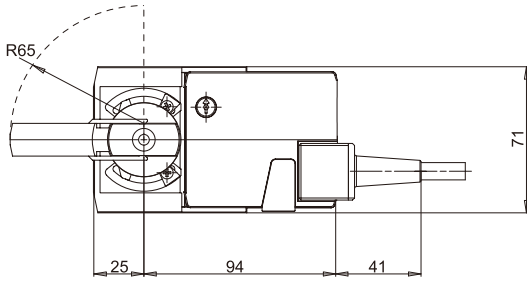
Dimensions [mm]



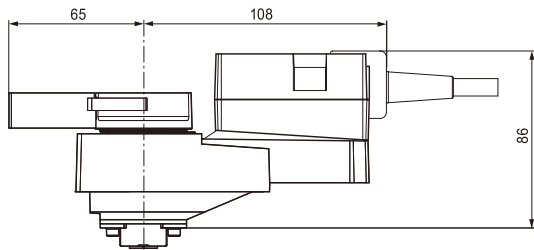
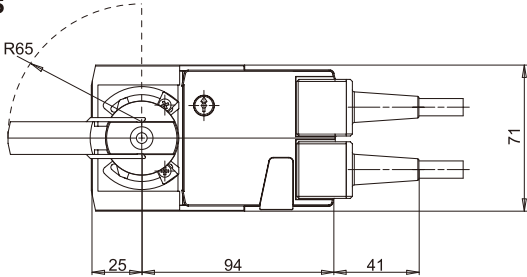
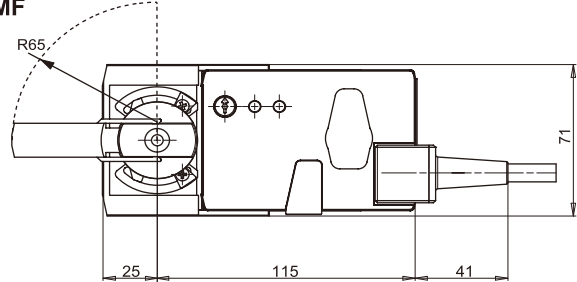
LRU24
LRU230



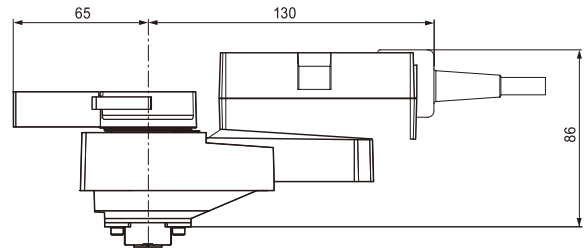
LRU24-MF



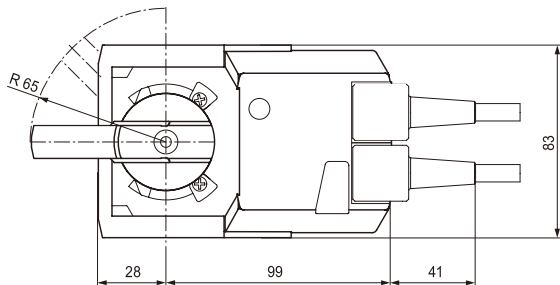
LRU24-S
LRU230-S



NRU24
NRU230



NRU24-MF



NRU24-S
NRU230-S

