

## D6..D(S) Series Butterfly Valves

Trade Selection by Belimo



### 2-way Butterfly Valves DN600...1200

For Open/Close or modulating control of cold and hot water.

#### Applications

Typical applications include chiller isolation, cooling tower isolation and bypass control, change-over systems.

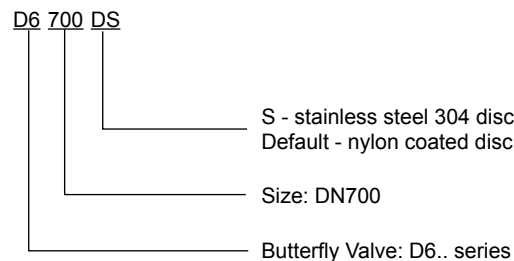


#### Technical data

Flow medium	Nylon coated disc: Cold and hot water SS304 disc: cold and hot water. Max. 50% Glycol
Temperature of medium	Nylon-coated disc: Cold water and hot water, 0...+95°C SS304 disc: -20...+100°C
Nominal pressure	1600kPa (PN16)
Leakage rate	Rate A Bubble tight (ISO 5208)
Pipe connections *	ISO 7005.2 PN16 wafer
Max. Close-off pressure	1200kPa (DN600) 1000kPa (DN700...1200)
Installation position	Vertical to horizontal
Maintenance	Maintenance-free
Angle of rotation	90° rotation
<b>Valve Material</b>	
Body	Ductile cast iron GGG40 (DN600...1200)
Disc	Nylon coated ductile cast iron disc / Stainless steel 304 disc
Seat	EPDM
Stem	Stainless steel 416
Bushing	RPTFE

Default: D6700...1200D(S) Butterfly Valve and its Actuator are pre-calibrated and pre-assembled in the factory.

#### Ordering sample



#### Product features

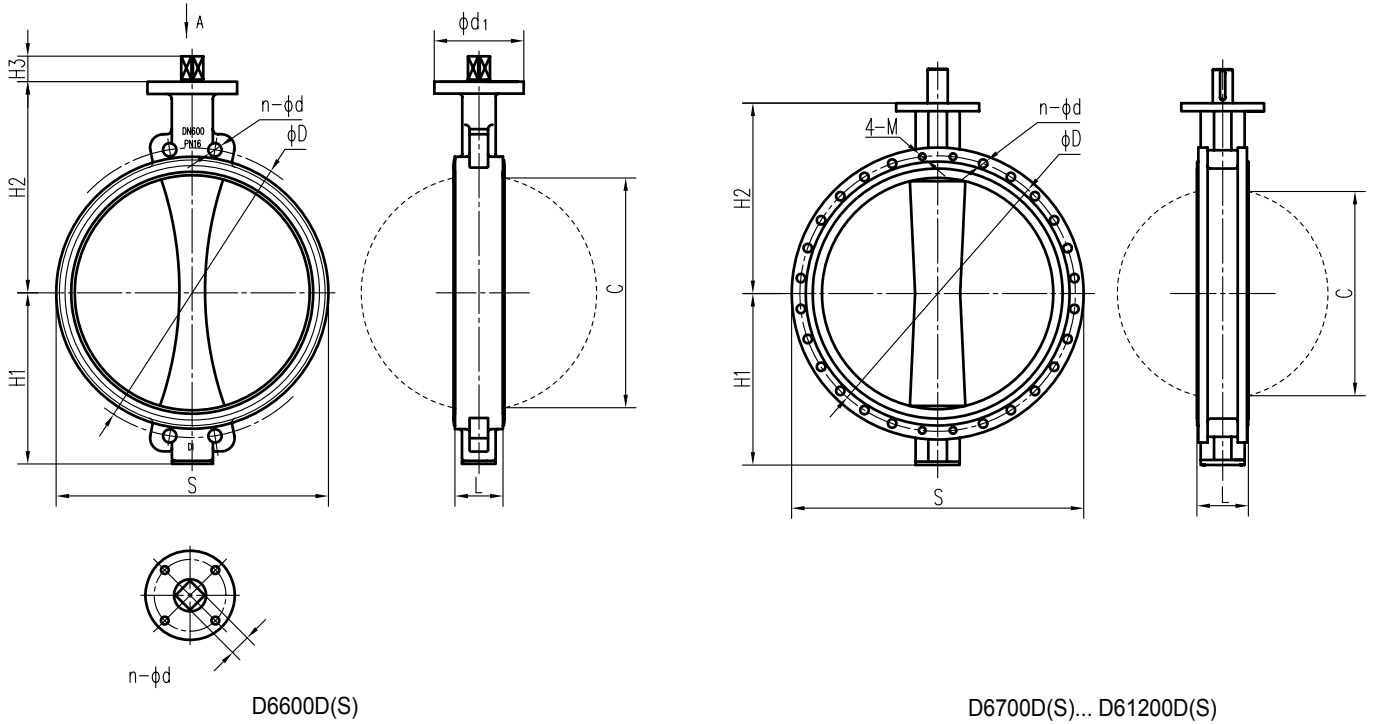
The modified equal-percentage flow characteristic and the large Kv values provide an economical control valve solution.

#### Mode of operation

The Butterfly Valve is operated by a Rotary Actuator. Select the actuator according to required Close-off pressure and HVAC condition of installation. The actuators are controlled by a standard Open/Close or modulating control system and rotate the disc of the valve to the position dictated by the control signal.

#### Manual operation

The manual operation is available by turning a handwheel of actuators.



### Dimensions of PN16 wafer connection Butterfly valves [mm]

Type	Size	Top Flange	L	C	S	H1	H2	H3	G	ød1	PN16		Weight (kg)
											øD	n-ød	
D6600D(S)	DN600	F16	154	573	708	459	562	52	36	210	770	20-36	185

Type	Size	L	C	S	H1	H2	4-M	PN16		Weight (kg)
								øD	n-ød	
D6700D(S)	DN700	163	674	910	540	631	M33	840	20-36	284
D6800D(S)	DN800	188	770	1025	607	674	M36	950	20-39	368
D6900D(S)	DN900	203	839	1125	656	720	M36	1050	24-39	713
D61000D(S)	DN1000	216	939	1255	727	802	M39	1170	24-42	865
D61200D(S)	DN1200	276	1124	1485	866	941	M45	1390	28-48	1545

### Kv Value [m3/h]

Type	Size	90°	80°	70°	60°	50°	40°	30°	20°	10°	
D6600D(S)	DN600	24"	37169	33901	22549	14248	8611	4832	2230	1053	22
D6700D(S)	DN700	28"	42672	30084	19628	12887	8621	5721	3137	1563	36
D6800D(S)	DN800	32"	58836	41480	27065	17770	11886	7531	4130	2058	45
D6900D(S)	DN900	36"	74461	52496	34251	22488	15042	9530	5227	2604	60
D61000D(S)	DN1000	40"	103232	72780	47486	31178	20827	13195	7237	3606	84
D61200D(S)	DN1200	48"	132284	92731	60851	39711	26457	16932	9259	4629	106

Trade Selection by Belimo

## Max. Close-off Pressure $\Delta P_s$ and linkage — D6..D(S) series

Type	IP67 Actuator (Outdoor Use)					
	SY12.. [3500Nm]	QB8000.. [8000Nm]	QB10000.. [10000Nm]	QB12000.. [12000Nm]	XZA17500.. [17500Nm]	XZA23000.. [23000Nm]
	$\Delta P_s$ kPa	$\Delta P_s$ kPa	$\Delta P_s$ kPa	$\Delta P_s$ kPa	$\Delta P_s$ kPa	$\Delta P_s$ kPa
D6600D	1200	-	-	-	-	-
D6700D	-	1000	-	-	-	-
D6800D	-	-	1000	-	-	-
D6900D	-	-	-	1000	-	-
D61000D	-	-	-	-	1000	-
D61200D	-	-	-	-	-	1000

Type	IP67 Actuator (Outdoor Use)					
	SY12.. [3500Nm]	QB8000.. [8000Nm]	QB10000.. [10000Nm]	QB12000.. [12000Nm]	XZA17500.. [17500Nm]	XZA23000.. [23000Nm]
	$\Delta P_s$ kPa	$\Delta P_s$ kPa	$\Delta P_s$ kPa	$\Delta P_s$ kPa	$\Delta P_s$ kPa	$\Delta P_s$ kPa
D6600DS	1200	-	-	-	-	-
D6700DS	-	1000	-	-	-	-
D6800DS	-	-	1000	-	-	-
D6900DS	-	-	-	1000	-	-
D61000DS	-	-	-	-	1000	-
D61200DS	-	-	-	-	-	1000