

Trade Selection by Belimo



2-way Butterfly Valves flanged DN50...500

For Open/Close or modulating control of cold and hot water.

Applications

Typical applications include chiller isolation, cooling tower isolation, change-over systems, large air handling coil control, bypass and process control.



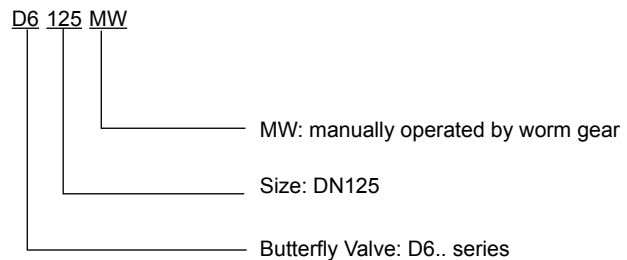
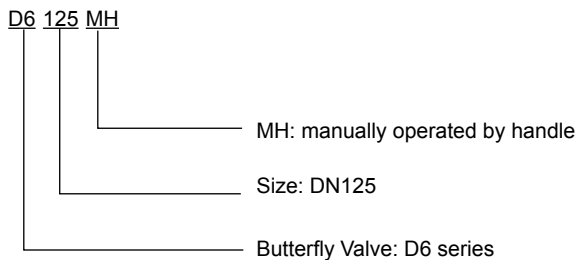
Technical data

Flow medium	Nylon coated disc	Cold and hot water
	SS304 disc	Cold and hot water, Max. 50% glycol
Temperature of medium	Nylon coated disc	0...+95°C
	SS304 disc	-20...+100°C
Nominal pressure	1600kPa (PN16)	
Leakage rate	Rate A Bubble Tight (ISO 5208)	
Pipe connections	ISO 7005.2, AS2129	
	PN10/16, Table E for wafer (DN50..300)	
	PN16 for wafer (DN350...500) PN16 for lug (DN50...500)	
Max. Close-off pressure	1200kPa	
Installation position	Vertical to horizontal	
Maintenance	Maintenance-free	
Angle of rotation	90° rotation	

Valve Material

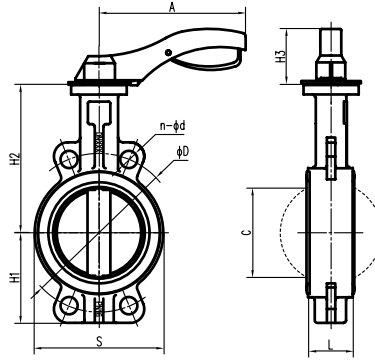
Body	Ductile cast iron GGG40 (DN50...500)
Disc	Nylon-coated ductile cast iron disc/ Stainless steel 304 disc
Seat	EPDM
Shaft	Stainless steel 416
Bushing	RPTFE

Ordering sample



Mode of operation

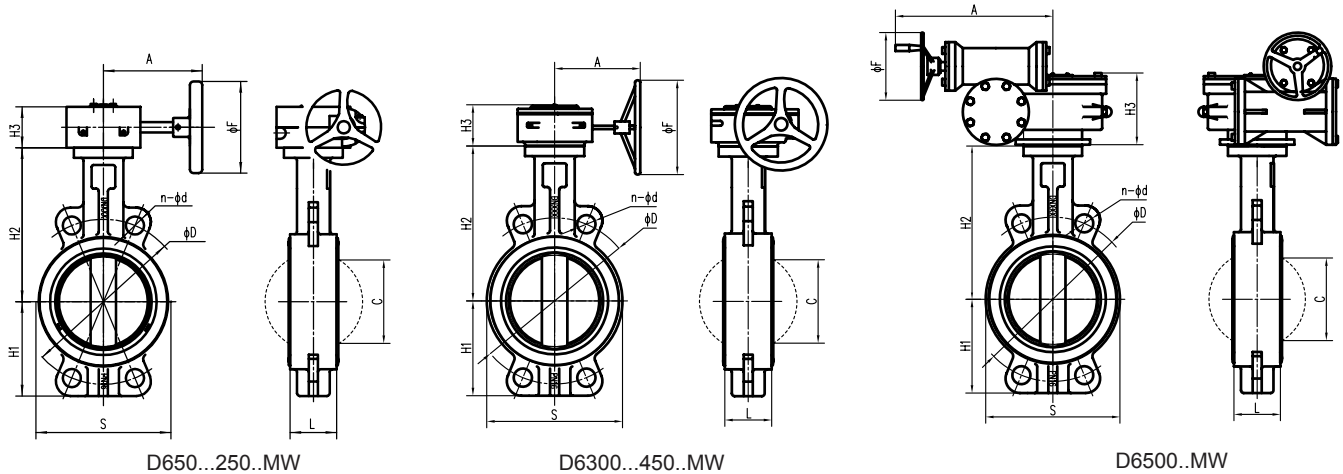
The Butterfly Valve is operated by a handle or a worm gear. Select the actuator according to the required Close-off pressure and HVAC condition of installation. The discs are controlled by manual operators.



D650...150..MH

Dimensions of PN10/16 Table E, wafer connection handle Butterfly Valves [mm]

Type	Size	L	C	S	H1	H2	H3	A	PN10		PN16		Table E		NC BFV (kg)	SS BFV (kg)
									ø D	n-ød	ø D	n-ød	ø D	n-ød		
D650..MH	DN50	43	33	118	65	130	64	170	125	4-18	125	4-18	114	4-18	2.3	2.3
D665..MH	DN65	46	48	135	71	143	64	170	145	4-18	145	4-18	127	4-18	2.7	2.7
D680..MH	DN80	46	66	149	92	155	64	170	160	8-18	160	8-18	146	4-18	3.1	3.0
D6100..MH	DN100	46	66	149	92	155	64	170	180	8-18	180	8-18	178	8-18	4.8	4.6
D6125..MH	DN125	56	115	176	118	190	75	260	210	8-18	210	8-18	210	8-18	7.2	6.8
D6150..MH	DN150	56	142	204	132	210	75	260	240	8-22	240	8-22	235	8-22	8.4	8.3



D650...250..MW

D6300...450..MW

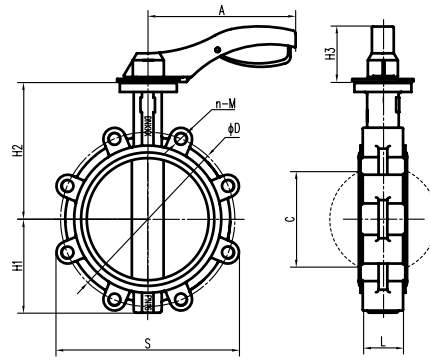
D6500..MW

Dimensions of PN10/16 Table E, wafer connection worm gear Butterfly Valves [mm]

Type	Size	L	C	S	H1	H2	H3	A	øF	PN10		PN16		Table E		NC BFV (kg)	SS BFV (kg)
										ø D	n-ød	ø D	n-ød	ø D	n-ød		
D650..MW	DN50	43	33	118	65	130	50	128	140	125	4-18	125	4-18	114	4-18	3.4	3.4
D665..MW	DN65	46	48	135	71	143	50	128	140	145	4-18	145	4-18	127	4-18	3.8	3.8
D680..MW	DN80	46	66	149	92	155	50	128	140	160	8-18	160	8-18	146	4-18	4.2	4.1
D6100..MW	DN100	46	66	149	92	155	50	128	140	180	8-18	180	8-18	178	8-18	5.7	5.5
D6125..MW	DN125	56	115	176	118	190	50	128	140	210	8-18	210	8-18	210	8-18	8.0	7.6
D6150..MW	DN150	56	142	204	132	210	50	128	140	240	8-22	240	8-22	235	8-22	9.1	9.0
D6200..MW	DN200	60	194	260	167	243	60	180	300	295	8-22	295	12-22	292	8-22	16.5	15.2
D6250..MW	DN250	68	245	316	198	282	60	180	300	350	12-22	355	12-26	356	12-22	24.1	22.9
D6300..MW	DN300	78	294	372	231	310	81	213	300	400	12-22	410	12-26	406	12-26	38.0	40.1
D6350..MW	DN350	78	328	422	256	345	81	213	300	-	-	470	16-26	-	-	51.6	50.2
D6400..MW	DN400	102	374	473	294	377	120	251	400	-	-	525	16-30	-	-	84.4	86.6
D6450..MW	DN450	114	425	526	337	422	120	251	400	-	-	585	20-30	-	-	100.8	102.9
D6500..MW	DN500	127	472	582	375	466	124	254	300	-	-	650	20-33	-	-	134.5	131.4

Dimensions of D6..MH/MW Series Butterfly Valves

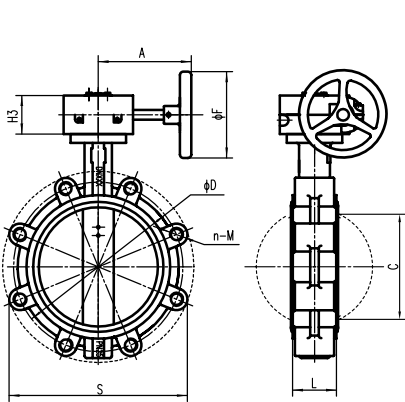
Trade Selection by Belimo



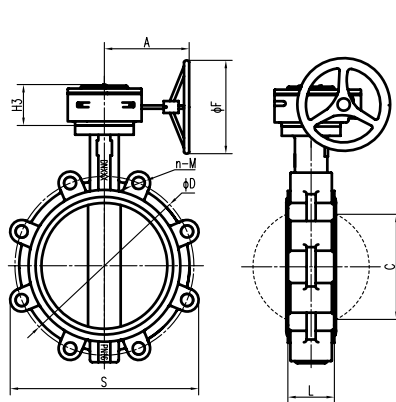
D650...150L..MH

Dimensions of PN16 lug connection handle Butterfly Valves [mm]

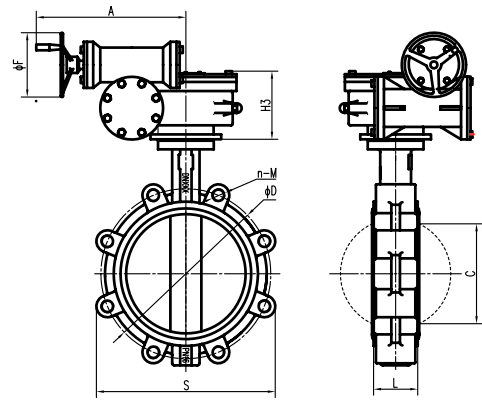
Type	Size	L	C	S	H1	H2	H3	A	PN16		NC BFV (kg)	SS BFV (kg)
									ø D	n-M		
D650L..MH	DN50	43	33	115	65	130	64	170	125	4-M16	2.8	2.8
D665L..MH	DN65	46	48	132	71	143	64	170	145	4-M16	3.4	3.4
D680L..MH	DN80	46	66	175	92	155	64	170	160	8-M16	4.5	4.4
D6100L..MH	DN100	46	66	175	92	155	64	200	180	8-M16	6.4	6.2
D6125L..MH	DN125	56	115	240	118	190	75	260	210	8-M16	8.8	8.4
D6150L..MH	DN150	56	142	257	132	210	75	260	240	8-M20	10.4	9.7



D650...250L..MW



D6300...450L..MW



D6500L..MW

Dimensions of PN16 lug connection worm gear Butterfly Valves [mm]

Type	Size	L	C	S	H1	H2	H3	A	øF	PN16		NC BFV (kg)	SS BFV (kg)
										ø D	n-M		
D650L..MW	DN50	43	33	115	65	130	48	160	140	125	4-M16	4.1	4.1
D665L..MW	DN65	46	48	132	71	143	48	160	140	145	4-M16	4.7	4.7
D680L..MW	DN80	46	66	175	92	155	48	160	140	160	8-M16	5.8	5.7
D6100L..MW	DN100	46	66	175	92	155	48	160	140	180	8-M16	7.5	7.3
D6125L..MW	DN125	56	115	240	118	190	56	140	140	210	8-M16	11.9	11.6
D6150L..MW	DN150	56	142	257	132	210	56	140	140	240	8-M20	13.5	12.9
D6200L..MW	DN200	60	194	318	167	243	80	200	220	295	12-M20	21.1	19.8
D6250L..MW	DN250	68	245	383	198	282	80	200	220	355	12-M24	30.4	28.2
D6300L..MW	DN300	78	294	435	231	310	81	213	300	410	12-M24	44.0	46.1
D6350L..MW	DN350	78	328	512	256	345	81	213	300	470	16-M24	63.6	62.2
D6400L..MW	DN400	102	374	590	294	377	120	251	400	525	16-M27	102.4	104.6
D6450L..MW	DN450	114	425	640	337	422	120	251	400	585	20-M27	128.8	130.9
D6500L..MW	DN500	127	472	703	375	466	124	254	300	650	20-M30	180.3	181.1

V7.2.03.2015-Subject to modification