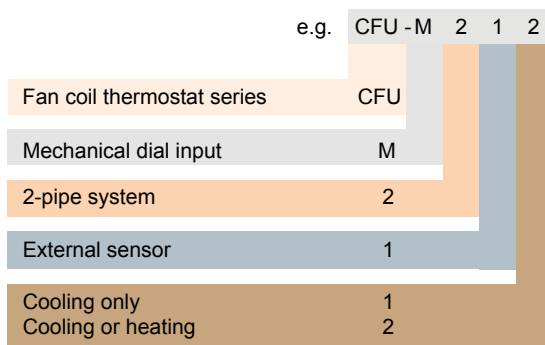


Overview of product

New generation CFU-M series designed for commercial and residential fan coil applications for 2-pipe system. Modern design suits for all decor and wall box.

Features

- Input for external sensor
- Suits both US and BS junction box
- Manual 3 fan speed
- Open-close control by 2-wire or 3-wire actuator
- Hidden LED indicate status

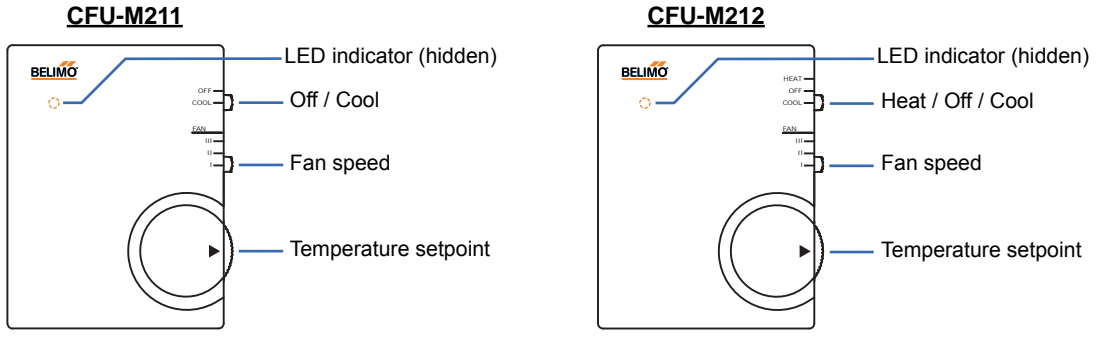

Model selection


M series	Cooling only	Cooling or heating	3 Fan speed	External sensor
CFU-M211	●		●	●
CFU-M212		●	●	●

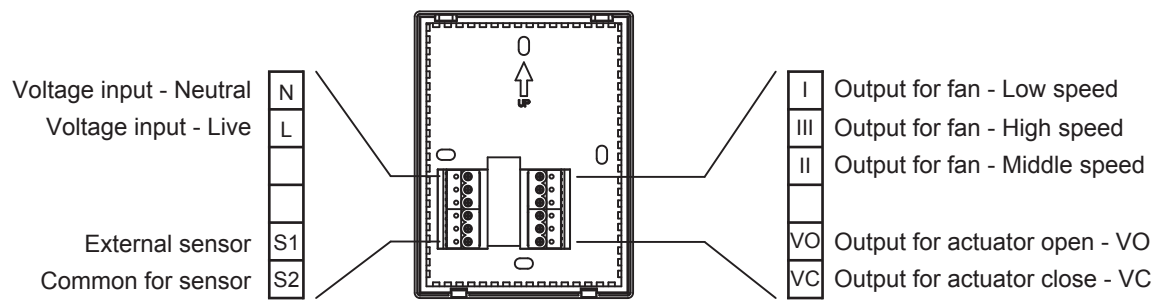
Technical data

Model	CFU-M211 CFU-M212	Cooling only, 3 fan speed, external sensor Cooling or heating, 3 fan speed, external sensor
Nominal voltage	AC 220...240V 50/60Hz	
Nominal voltage range	AC 198...264V	
Sensing element	Built-in : NTC thermistor, 100kΩ@25°C External : NTC10kΩ@25°C, maximum cable length 10m (Probe type sensor, EXT-TN-1072532, cable length 2m, optional)	
Fan speed control	Low (I), Middle (II), High (III)	
Setpoint range	10...30°C	
Switching differential	1K	
Hidden LED	Orange : power on Off : power off	
Load ratings	Fan speed output : 3A resistive, 1A inductive, AC 250V, 50/60Hz Relay output : 3A resistive, 1A inductive, AC 250V, 50/60Hz	
Control signal	Open-close control by 3-wire or spring return by 2-wire	
Ambient temperature	Operating : 10...30°C Storage : 0...45°C	
Ambient humidity	Max. 90% RH, non-condensing	
Wiring connection	Terminal wiring 0.5...1.0 mm ²	
Agency Approval	LVD - CE according to 2006/95/EC EMC - CE according to 2004/108/EEC	
Material	Fire-retardant PC, self-extinguishing: UL 94-V0	
Degree of protection	IP30	
Weight	0.13kg	
Dimensions (LxWxH)	110 x 84 x 28mm	

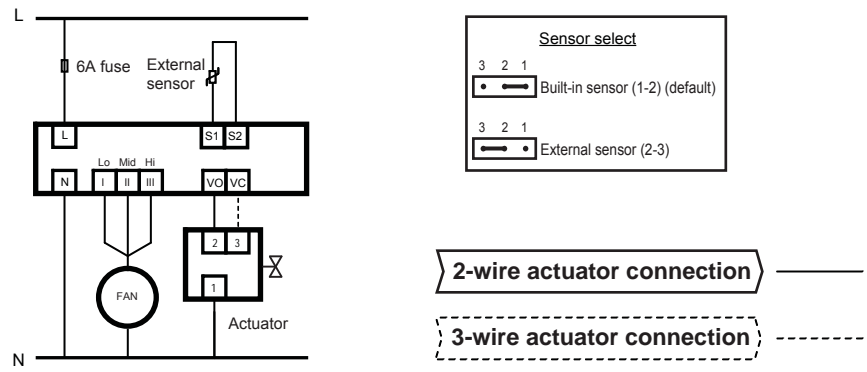
Switches



Terminals



Wiring diagram and jumper setting



Dimensions (mm)

