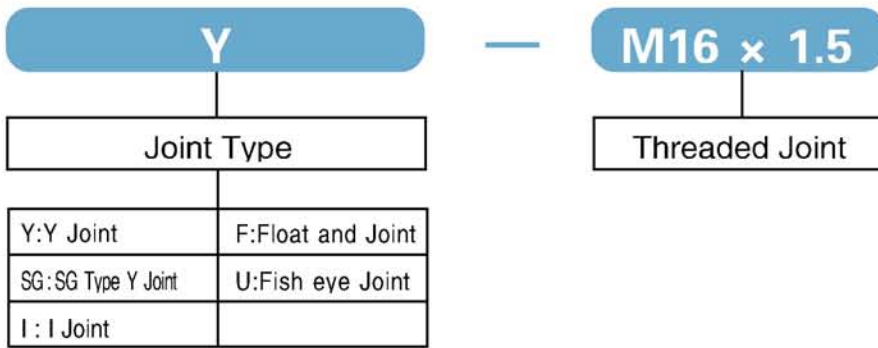
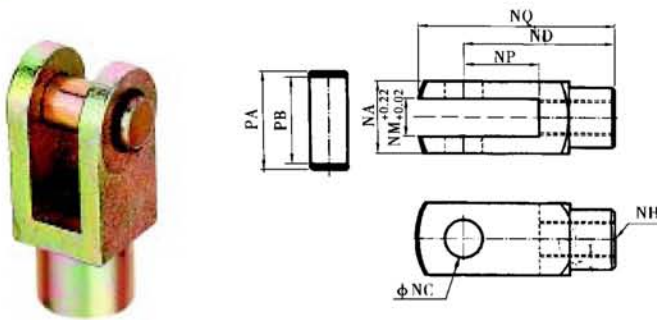


How to order:

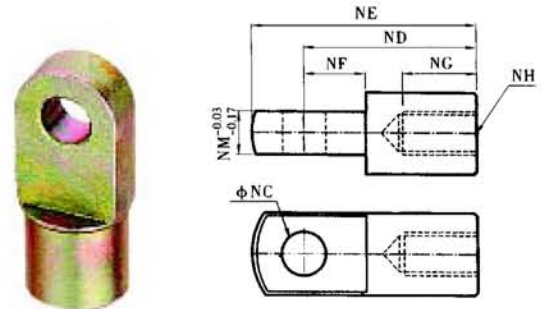


Joint Dimention:

Y Joint

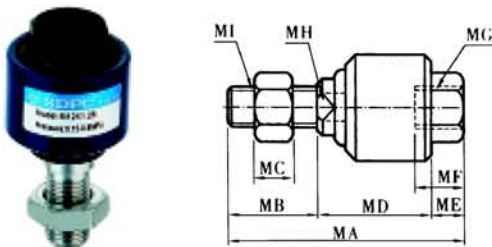


I Joint



Type	Threaded Joint(M)	NA	NC	ND	NE	NG	NM	NP	NQ	PA	PB
Y-M10 x 1.25	M10 x 1.25	19	10	40	52	20	10	20	52	26.2	20
Y-M12 x 1.25	M12 x 1.25	25.4	12	48	67	20	12	24	62	32.8	26.5
Y-M16 x 1.5	M16 x 1.5	33	16	64	89	23	16	32	83	39.3	33
Y-M16 x 1.5	M16 x 1.5	33	16	64	89	23	16	32	83	39.3	33
Y-M20 x 1.5	M20 x 1.5	44.4	20	80	112	30	20	40	105	53.3	45
Y-M20 x 1.5	M20 x 1.5	44.4	20	80	112	30	20	40	105	53.3	45
Y-M27 x 2	M27 x 2	64	20	102	119	56	32	50	119	73	67
Y-M36 x 2	M36 x 2	82	28	125	155	72	41	60	155	90	83
Y-M36 x 2	M36 x 2	82	28	125	155	72	41	60	155	90	83

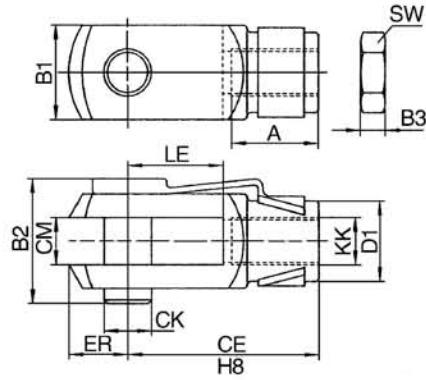
Float and Joint



Type	Threaded Joint (M)	MA	MB	MC	MD	ME	MH	MI
F-M10 x 1.25	M10 x 1.25	73	20	6	45	8	12	M10 x 1.25
F-M12 x 1.25	M12 x 1.25	77	24	7	46	7	12	M12 x 1.25
F-M16 x 1.5	M16 x 1.5	106	32	8	62	12	19	M16 x 1.5
F-M16 x 1.5	M16 x 1.5	106	32	8	62	12	19	M16 x 1.5
F-M20 x 1.5	M20 x 1.5	122	40	10	68	14	19	M20 x 1.5
F-M20 x 1.5	M20 x 1.5	122	40	10	68	14	19	M20 x 1.5
F-M27 x 2	M27 x 2	147	54	13.5	77	16	24	M27 x 2
F-M36 x 2	M36 x 2	251	72	18	161	18	36	M36 x 2
F-M36 x 2	M36 x 2	251	72	18	161	18	36	M36 x 2

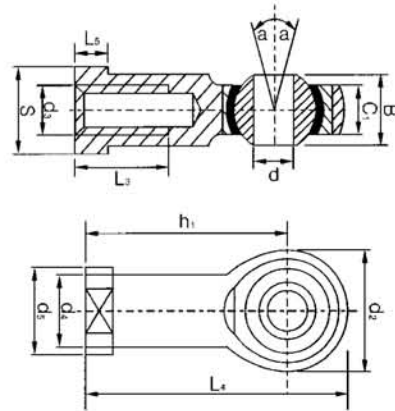
Joint Dimentsion:

■ SG Type Y Joint



Type	Threaded Joint(M)	A	B1	B2	B3	CE/H8	CK	CM	D1	ER	LE	SW
SG-M6	M6	12	12	16	3.2	24	6	6	6	7	12	10
SG-M8	M8	16	16	21.5	4	32	8	8	8	10	16	13
SG-M10	M10	20	20	26	5	40	10	10	10	12	20	17
SG-M10 × 1.25	M10 × 1.25	20	20	26	5	40	10	10	10	12	20	17
SG-M12	M12	24	24	31	6	48	12	12	12	14	24	19
SG-M12 × 1.25	M12 × 1.25	24	24	31	6	48	12	12	12	14	24	19
SG-M16	M16	32	32	39	8	64	16	16	16	19	32	24
SG-M16 × 1.5	M16 × 1.5	32	32	39	8	64	16	16	16	19	32	24
SG-M20	M20	24	40	53	10	60	20	20	20	24	36	30
SG-M20 × 1.5	M20 × 1.5	40	40	53	10	80	20	20	20	25	40	30
SG-M27 × 2-B	M27 × 2-B	56	55	74	13.5	110	30	30	30	38	54	41
SG-M36 × 2	M36 × 2	56	70	90.5	18	144	35	35	35	44	72	55

■ Fish eye Joint



Type	Threaded Joint(M)	d	d2	d5	S	B	L5	C1	h1	L3	d4	L4
U-M6 × 1	M6 × 1	6	20	13	11	9	5	6.75	30	12	10	45
U-M8 × 1.25	M8 × 1.25	8	24	16	14	12	5	9	36	16	12.5	48
U-M10 × 1.25	M10 × 1.25	10	28	19	17	14	6.5	10.5	43	20	15	57
U-M12 × 1.75	M12 × 1.75	12	32	22	19	16	6.5	12	50	22	17.5	66
U-M14 × 2	M14 × 2	14	36	25	22	19	8	13.5	57	25	20	75
U-M16 × 2	M16 × 2	16	40	27	22	21	8	15	64	28	22	84
U-M18 × 1.5	M18 × 1.5	18	46	31	27	23	10	16.5	71	32	25	94
U-M20 × 1.5	M20 × 1.5	20	50	34	30	25	10	18	77	33	27.5	102
U-M22 × 1.5	M22 × 1.5	22	54	37	32	28	12	20	84	37	30	111
U-M24 × 2	M24 × 2	25	60	42	30	31	12	22	94	42	33.5	124
U-M27 × 2	M27 × 2	28	66	46	41	35	14	26	103	41	37	136
U-M36 × 2	M36 × 2	30	70	50	41	37	15	25	110	51	40	145