



FRL、UFRL Filter+Regulator+Lubricator

33



FR/L、UFR/L Filter
Regulator+Lubricator

35



FR、UFR Filter Regulator

37



F、UF Filter

38



R、UR Regulator

39



L、UL Lubricator

40



UFRLH Filter+Regulator+Lubricator

41



UFR/LH Filter Regulator+Lubricator

43



UFRH Filter Regulator

45



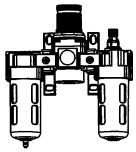
UFH Filter

46

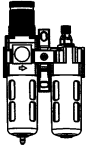


URH Regulator

47



FRL、UFRL Filter+Regulator+Lubricator – Optional(1/8",1/4",3/8",1/2",3/4",1") 33



FR/L、UFR/L Filter Regulator+Lubricator – Optional(1/8",1/4",3/8",1/2",3/4",1") 35



FR、UFR Filter Regulator – – – – – Optional(1/8",1/4",3/8",1/2",3/4",1") 37



F、UF Filter – – – – – Optional(1/8",1/4",3/8",1/2",3/4",1") 38

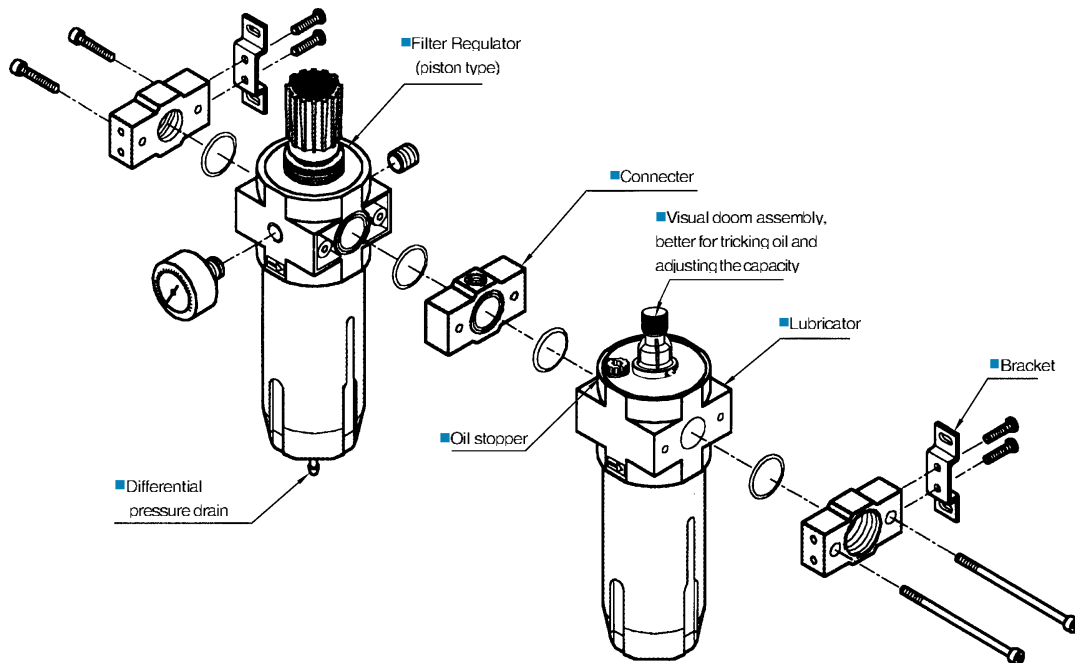


R、UR Relief Valve – – – – – Optional(1/8",1/4",3/8",1/2",3/4",1") 39



L、UL Atomized Lubricator – – – – – Optional(1/8",1/4",3/8",1/2",3/4",1") 40

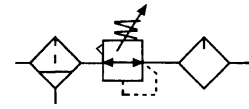
F.R.L assembled sketch:



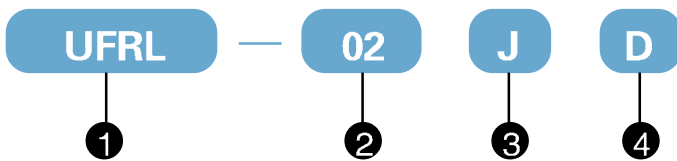
Filter+Regulator+Lubricator

Specification:

Type	FRL-02	UFRL-02	UFRL-03	UFRL-04	UFRL-06	UFRL-08
Port size G	1/4"	1/4"	3/8"	1/2"	3/4"	1"
Gauge thread G	1/4"					
Fluid	Air					
Operating pressure range MPa	0.15-0.85					
Max. Flow rate L/min	1800	2050	2500	7900	8100	
Ambient temperature °C	-10-60					
Filter precision	Standard: 20 μ m					
Oil recommended	ISO VG32					
Cup material	Polycarbonate					
Structure	Piston type					
Optional	-	●	●	●	●	●



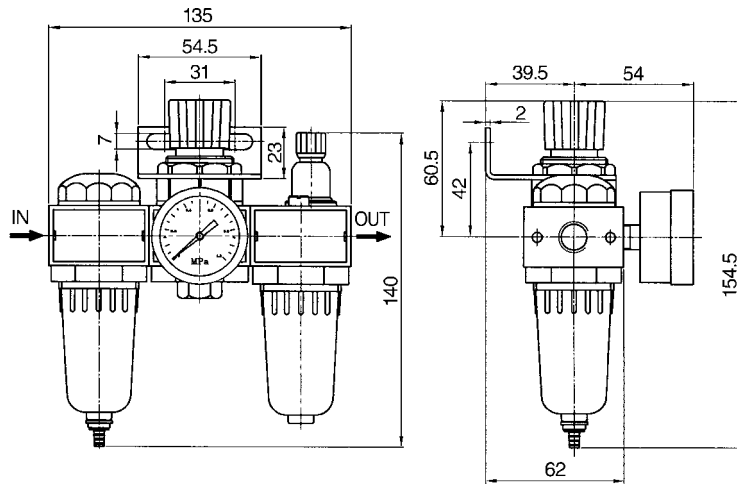
How to order:



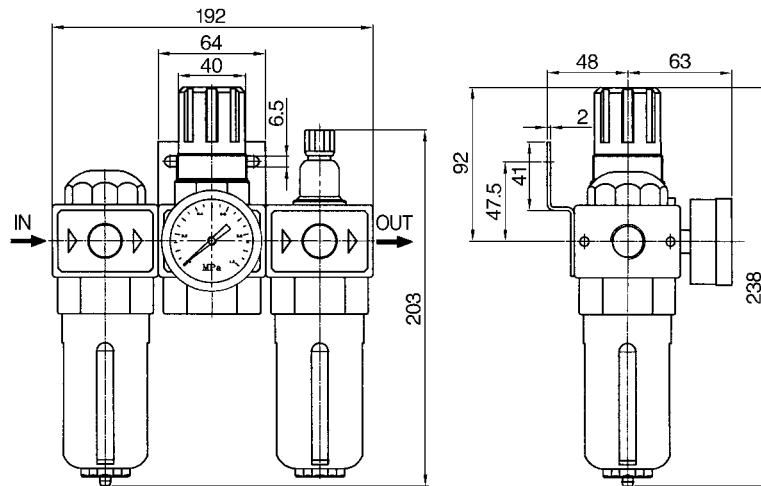
①	FRL、UFRL Filter+Regulator+Lubricator
②	Port size; 02:G1/4",03:G3/8", 04:G1/2",06:G3/4",08:G1"
③	J: Metal bowl
④	□: Differential pressure drain, D: Auto-drain;

Dimension(mm):

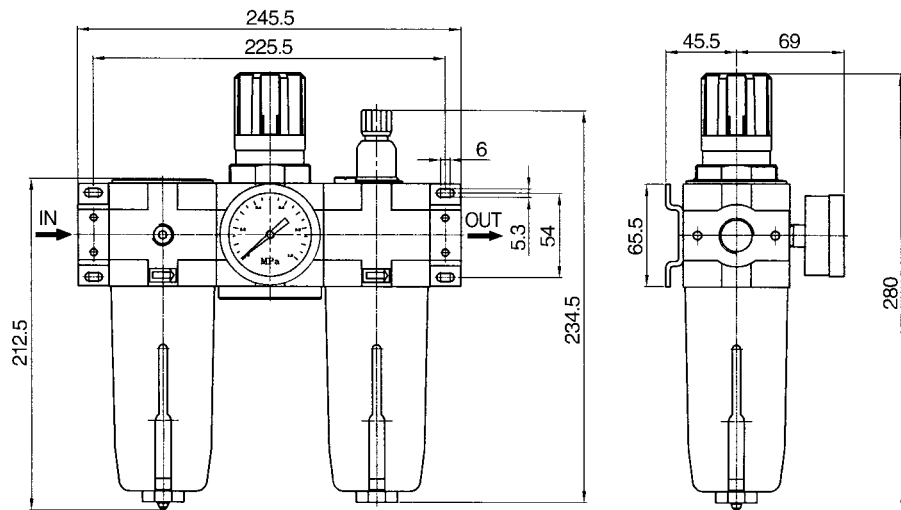
■ FRL-02



■ UFRL-02,03,04



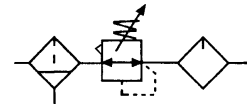
■ UFRL-06,08



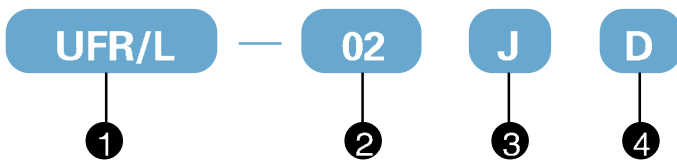
Filter Regulator+Lubricator

Specification:

Type	FRL-02	UFR/L-02	UFR/L-03	UFR/L-04	UFR/L-06	UFR/L-08
Port size G	1/4"	1/4"	3/8"	1/2"	3/4"	1"
Gauge thread G	1/4"					
Fluid	Air					
Operating pressure range MPa	0.15-0.85					
Max. Flow rate L/min	1850	2050	2500	7900	8100	
Ambient temperature °C	-10-60					
Filter precision	Standard: 20 μ m					
Oil recommended	ISO VG32					
Cup material	Polycarbonate					
Structure	Piston type					
Optional	-	●	●	●	●	●



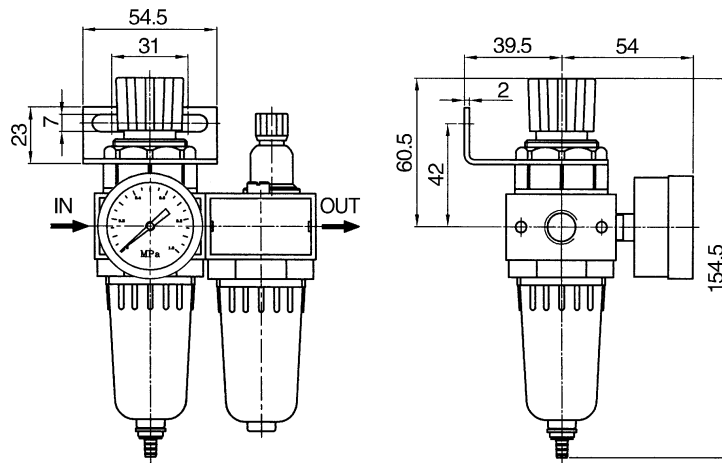
How to order:



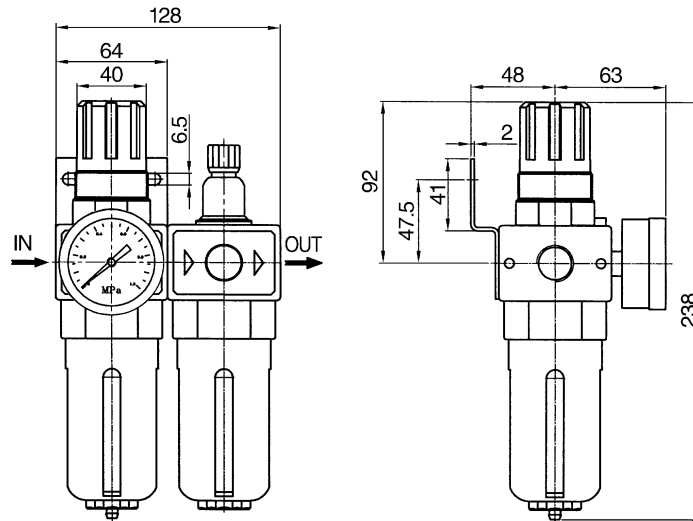
①	FR/L、UFR/L Filter+Regulator+Lubricator
②	Port size; 02:G1/4",03:G3/8", 04:G1/2",06:G3/4",08:G1"
③	J: Metal bowl
④	<input type="checkbox"/> Differential pressure drain, D: Auto-drain;

Dimension(mm):

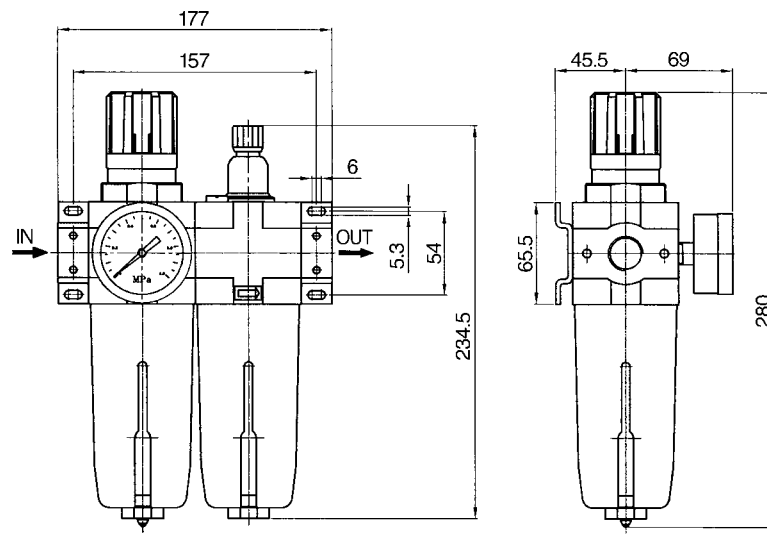
■ FR/L-02



■ UFR/L-02,03,04



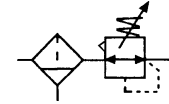
■ UFR/L-06,08



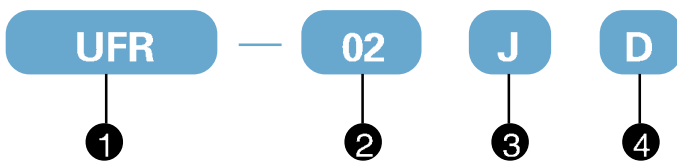
Filter Regulator

Specification:

Type	FR-02	UFR-02	UFR-03	UFR-04	UFR-06	UFR-08
Port size G	1/4"	1/4"	3/8"	1/2"	3/4"	1"
Gauge thread G	1/4"					
Fluid	Air					
Operating pressure range MPa	0.15-0.85					
Max. Flow rate L/min	2000	2050	2500	7900	8100	
Ambient temperature °C	-10-60					
Filter precision	Standard: 20 μm					
Cup material	Polycarbonate					
Structure	Piston type					
Optional	-	●	●	●	●	●

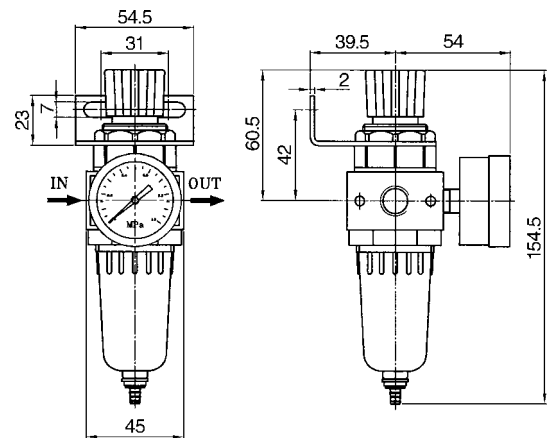


How to order:



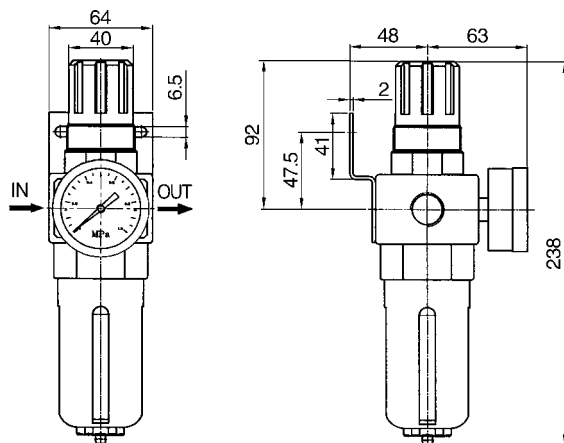
①	FR Filter Regulator; UFR Filter Regulator
②	Port size; 02:G1/4",03:G3/8", 04:G1/2",06:G3/4",08:G1"
③	J: Metal bowl
④	□ Differential pressure drain, D: Auto-drain;

FR-02

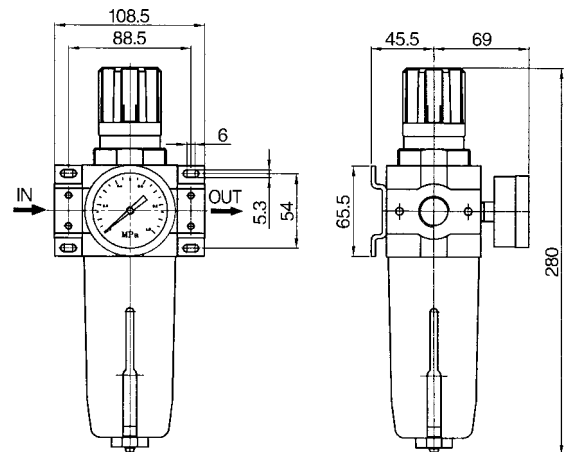


Dimension(mm):

UFR-02,03,04



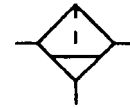
UFR-06,08



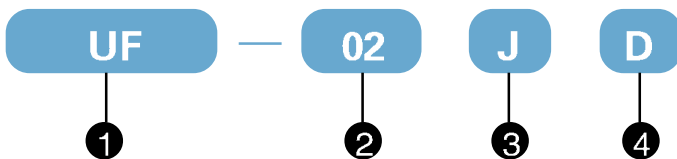
Filter

Specification:

Type	F-02	UF-02	UF-03	UF-04	UF-06	UF-08
Port size G	1/4"	1/4"	3/8"	1/2"	3/4"	1"
Fluid	Air					
Operating pressure range MPa	0.15~0.85					
Max. Flow rate L/min	2000	2500		8400		
Ambient temperature °C	-10~60					
Filter precision	Standard: 20 μm					
Cup material	Polycarbonate					
Optional	-	●	●	●	●	●

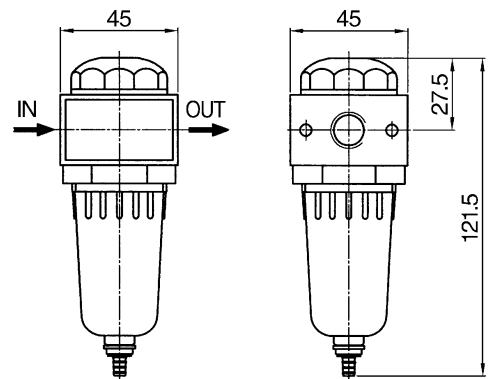


How to order:



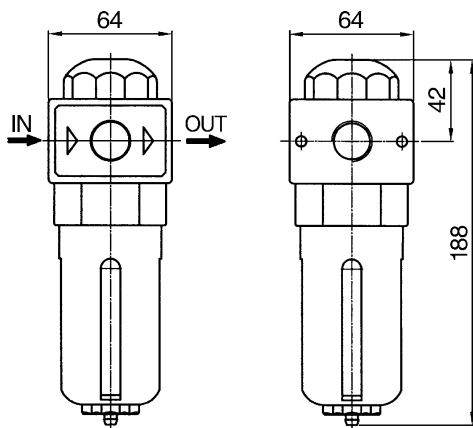
①	F Filter; UF Filter
②	Port size, 02:G1/4",03:G3/8", 04:G1/2",06:G3/4",08:G1"
③	J: Metal bowl
④	□: Differential pressure drain, D: Auto-drain;

■ F-02

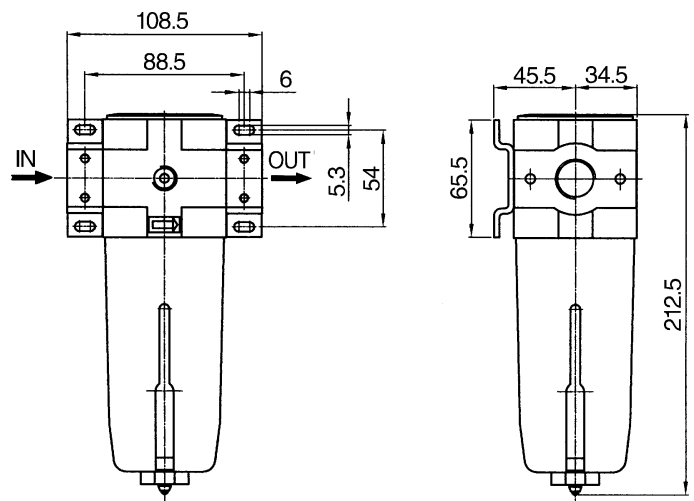


Dimension(mm):

■ UF-02,03,04



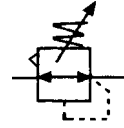
■ UF-06,08



Regulator

Specification:

Type	R-02	UR-02	UR-03	UR-04	UR-06	UR-08
Port size G	1/4"	1/4"	3/8"	1/2"	3/4"	1"
Gauge thread G	1/4"					
Fluid	Air					
Operating pressure range MPa	0.1~0.85					
Max. Flow rate L/min	1546	2050	2500	7900	8100	
Ambient temperature °C	-10~60					
Structure	Piston type					

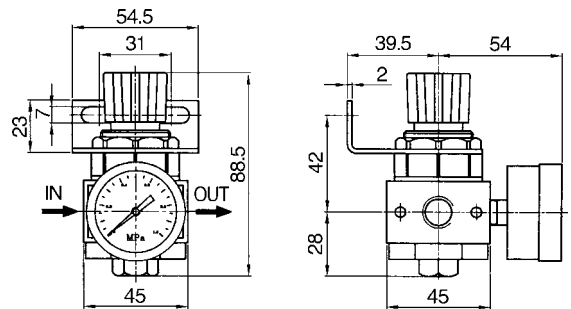


How to order:



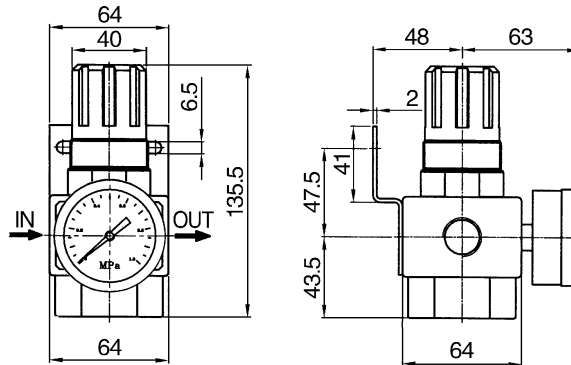
①	R Regulator; UR Regulator
②	Port size: 02:G1/4",03:G3/8",04:G1/2",06:G3/4",08:G1"

R-02

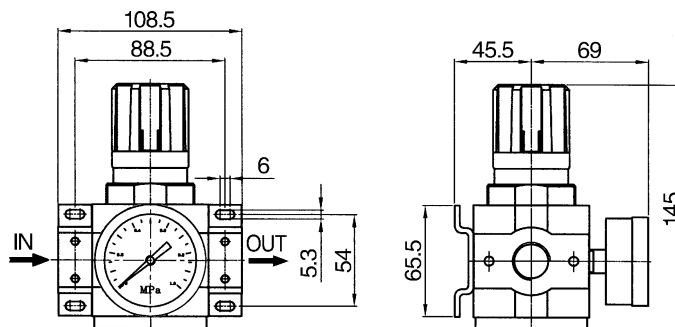


Dimension(mm):

UR-02,03,04



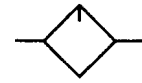
UR-06,08



Lubricator

Specification:

Type	L-02	UL-02	UL-03	UL-04	UL-06	UL-08
Port size G	1/4"	1/4"	3/8"	1/2"	3/4"	1"
Fluid	Air					
Operating pressure range MPa	0.15~0.85					
Max. Flow rate L/min	2000	2050	2500	7900	8100	
Ambient temperature °C	-10~60					
Oil recommended	ISO VG32					
Cup material	Polycarbonate					
Guard cup	-	●	●	●	●	●

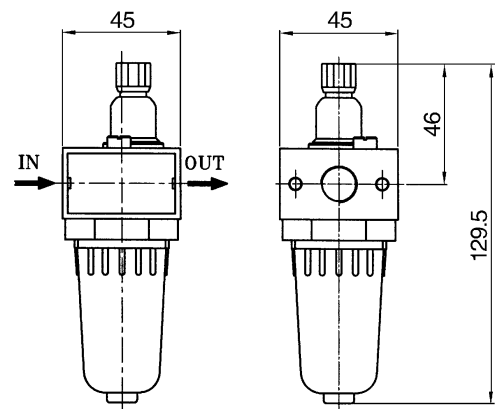


How to order:



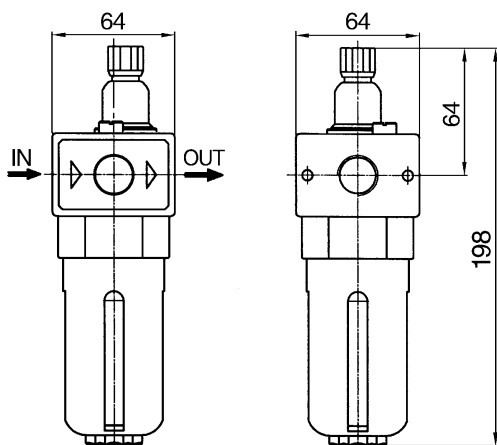
①	L Lubricator; UL Lubricator
②	Port size, 02:G1/4",03:G3/8", 04:G1/2",06:G3/4",08:G1"
③	J: Metal bowl

■ L-02

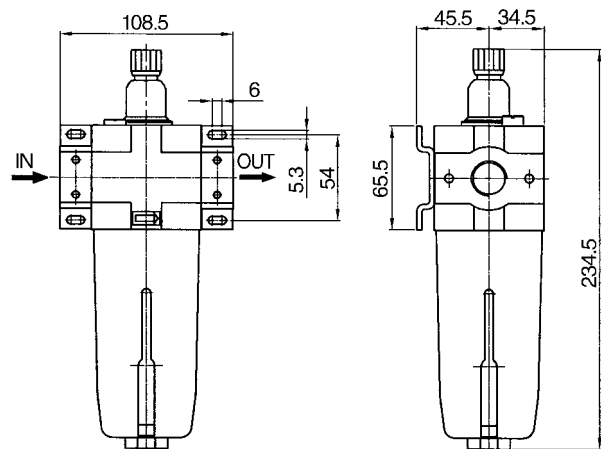


Dimension(mm):

■ UL-02,03,04



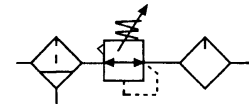
■ UL-06,08



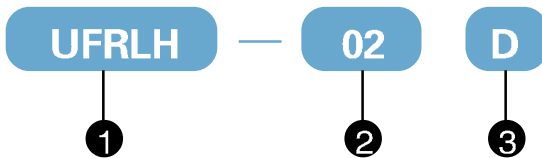
Filter+Regulator+Lubricator

Specification:

Type	UFRLH-02	UFRLH-03	UFRLH-04	UFRLH-06	UFRLH-08
Port size G	1/4"	3/8"	1/2"	3/4"	1"
Gauge thread G	1/4"				
Fluid	Air				
Operating pressure range MPa	0.15~1.6				
Max. Flow rate L/min	2050	2500	7900	8100	
Ambient temperature °C	-10~60				
Filter precision	Standard: 20 μ m				
Oil recommended	ISO VG32				
Cup material	Polycarbonate				
Structure	Piston type				
Optional	●				



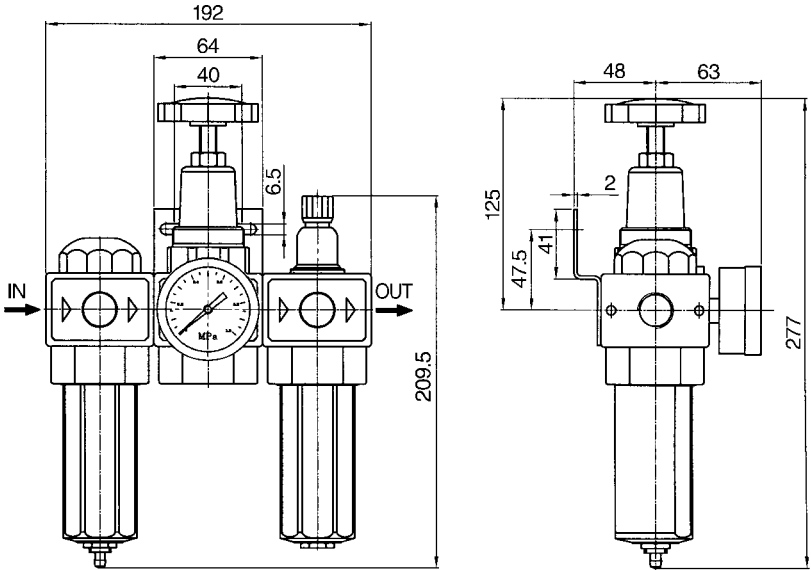
How to order:



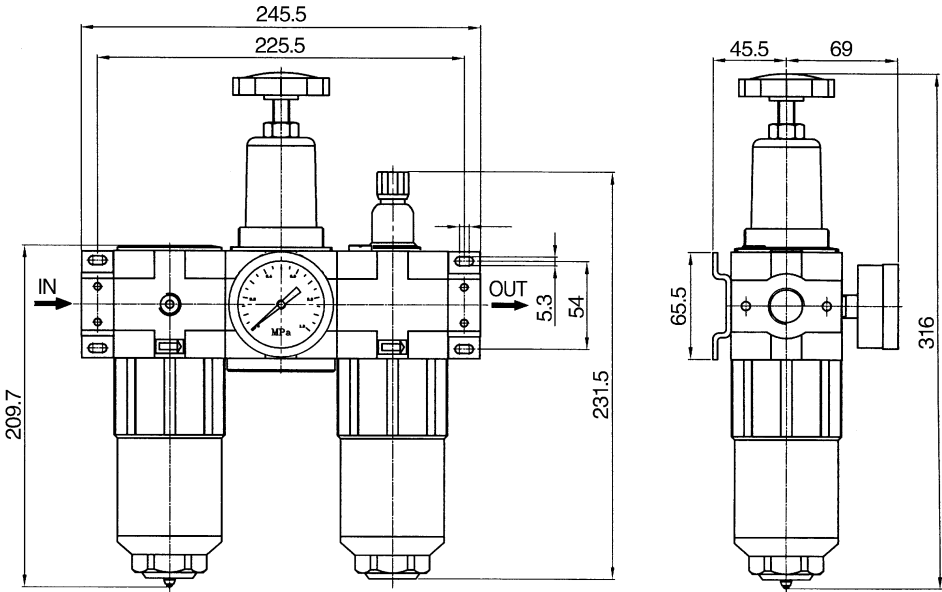
①	UFRLH Filter+Regulator+Lubricator
②	Port size; 02:G1/4",03:G3/8", 04:G1/2",06:G3/4",08:G1"
③	□: Differential pressure drain, D: Auto-drain;

Dimension(mm):

■ UFRLH-02,03,04



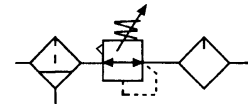
■ UFRLH-06,08



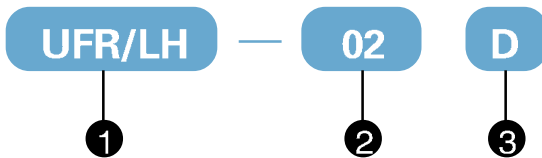
Filter Regulator+Lubricator

Specification:

Type	UFR/LH-02	UFR/LH-03	UFR/LH-04	UFR/LH-06	UFR/LH-08
Port size G	1/4"	3/8"	1/2"	3/4"	1"
Gauge thread G	1/4"				
Fluid	Air				
Operating pressure range MPa	0.15~1.6				
Max. Flow rate L/min	2050	2500	7900	8100	
Ambient temperature °C	-10~60				
Filter precision	Standard: 20 μ m				
Oil recommended	ISO VG32				
Cup material	Polycarbonate				
Structure	Piston type				
Optional	●				



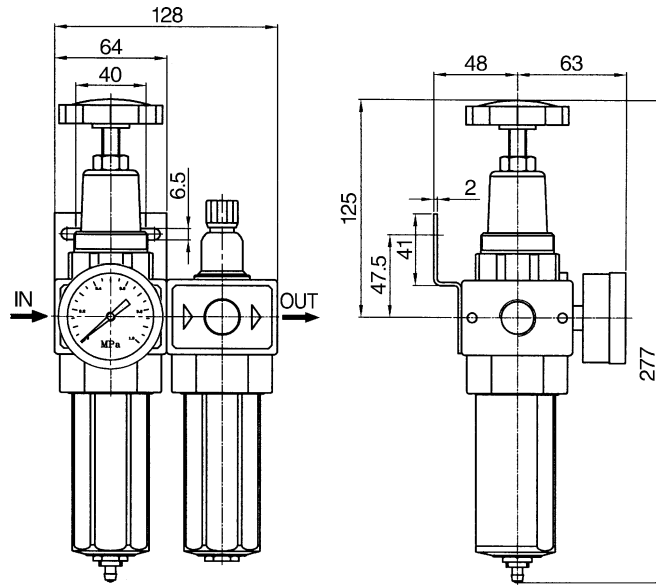
How to order:



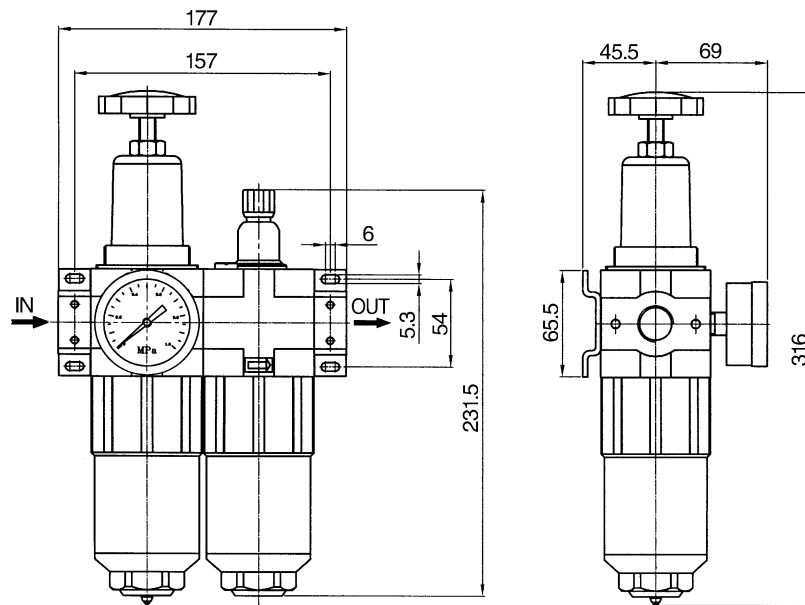
①	UFR/LH Filter Regulator+Lubricator
②	Port size: 02:G1/4",03:G3/8", 04:G1/2",06:G3/4",08:G1"
③	□: Differential pressure drain, D: Auto-drain;

Dimension(mm):

■ UFR/LH-02,03,04



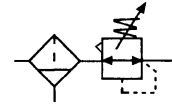
■ UFR/LH-06,08



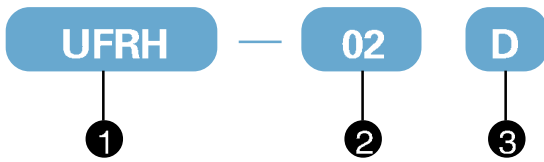
Filter Regulator

Specification:

Type	UFRH-02	UFRH-03	UFRH-04	UFRH-06	UFRH-08
Port size G	1/4"	3/8"	1/2"	3/4"	1"
Gauge thread G	1/4"				
Fluid	Air				
Operating pressure range MPa	0.15~1.6				
Max. Flow rate L/min	2050	2500	7900	8100	
Ambient temperature °C	-10~60				
Filter precision	Standard: 20 μ m				
Cup material	Polycarbonate				
Structure	Piston type				
Optional	●				



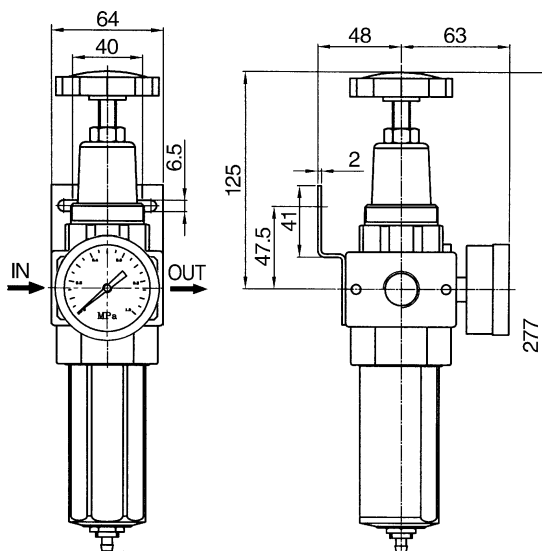
How to order:



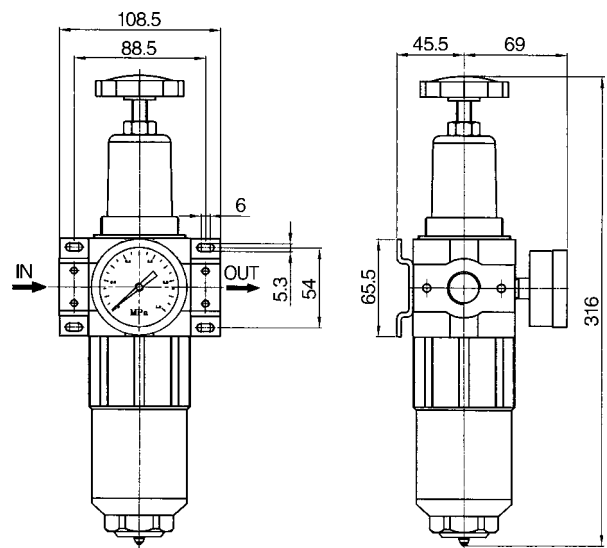
①	UFRH Filter Regulator
②	Port size: 02:G1/4",03:G3/8", 04:G1/2",06:G3/4",08:G1"
③	<input type="checkbox"/> Differential pressure drain, D: Auto-drain

Dimension(mm):

■ UFRH-02,03,04



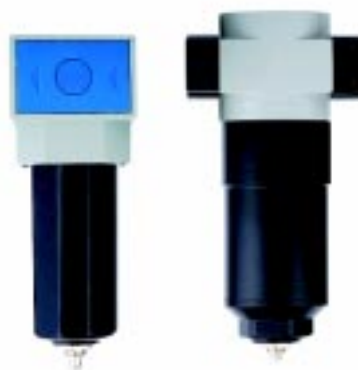
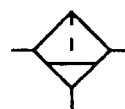
■ UFRH-06,08



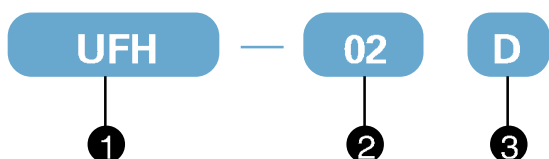
Filter

Specification:

Type	UFH-02	UFH-03	UFH-04	UFH-06	UFH-08
Port size G	1/4"	3/8"	1/2"	3/4"	1"
Fluid	Air				
Operating pressure range MPa	0.15~1.6				
Max. Flow rate L/min	2050	2500	7900	8100	
Ambient temperature °C	-10~60				
Filter precision	Standard: 20 μ m				
Cup material	Polycarbonate				
Optional	●				



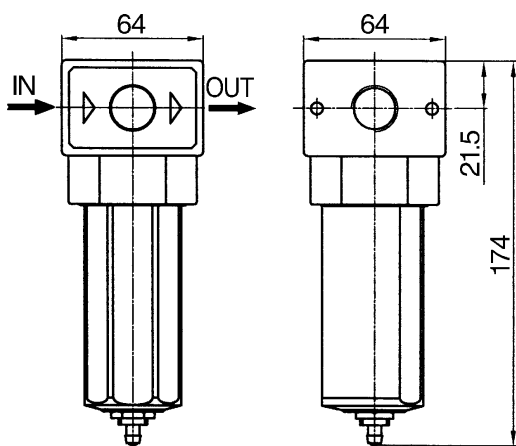
How to order:



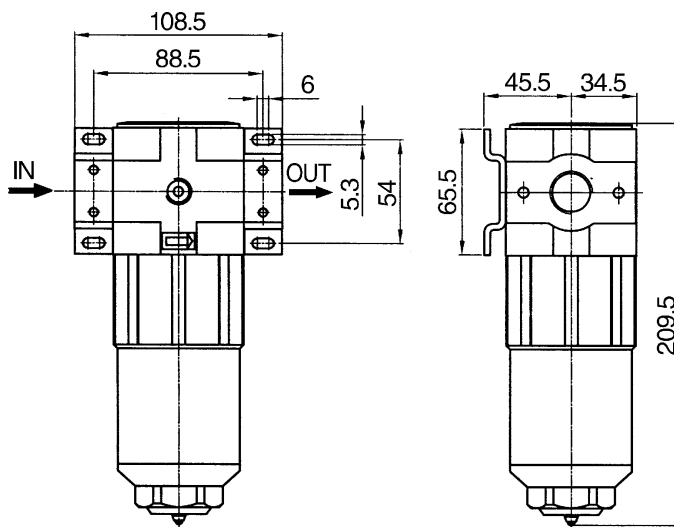
①	UFH Filter
②	Port size: 02:G1/4",03:G3/8", 04:G1/2",06:G3/4",08:G1"
③	□: Differential pressure drain, D: Auto-drain;

Dimension(mm):

■ UFH-02,03,04



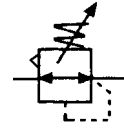
■ UFH-06,08



Regulator

Specification:

Type	URH-02	URH-03	URH-04	URH-06	URH-08
Port size G	1/4"	3/8"	1/2"	3/4"	1"
Gauge thread G	1/4"				
Fluid	Air				
Operating pressure range MPa	0.1~1.6				
Max.Flow rate L/min	2050	2500	7900	8100	
Ambient temperature °C	-10~60				
Filter precision	Piston type				



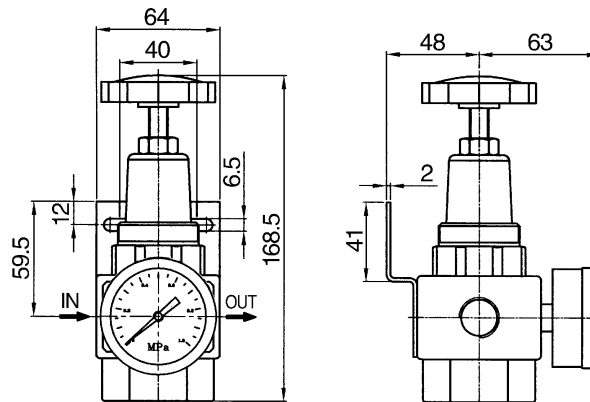
How to order:



①	URH Regulator
②	Port size: 02:G1/4",03:G3/8",04:G1/2",06:G3/4",08:G1"

Dimension(mm):

■ URH-02,03,04



■ URH-06,08

