

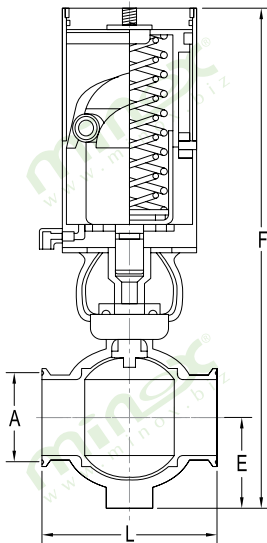
## 2-Piece Sanitary Ball Valve



Product	: 2-Piece Sanitary Ball Valve
Application	: On-off valve, by turning the valve ball, special design for product line with high viscosity, high pressure & high temperature product
Type	: Manual by turning handle, Pneumatic with air actuator
Optional	: Control & Indication Unit to be mounted on actuator
Body Configuration	: 2 way
Body Material	: Stainless Steel 316
Valve Seat Material	: PTFE (Teflon)
Working Pressure	: Up to 140psi at 95°C
Air Pressure for	
Air Actuator	: 5 ~ 7 bar
Size	: 1" ~ 4" (Standard design with TC ferrule end)

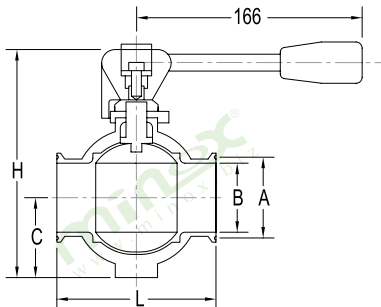


# 2-Piece Sanitary Ball Valve



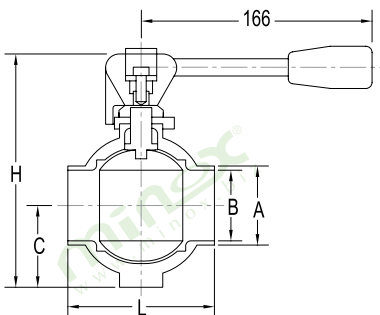
**Ball Valve C/W Actuator  
Dimension (mm)**

Size (Inch)	A	L	E	F
1.0"	50.5	95	38.0	234.8
1.5"	50.5	101	47.0	244.8
2.0"	63.9	110	56.0	253.8
2.5"	77.4	124	65.5	263.5



**Ball Valve-Clamp End  
Dimension (mm)**

Size (Inch)	A	B	C	H	L
1.0"	50.5	22.2	38.0	124.0	95.0
1.5"	50.5	34.9	47.0	142.0	101.0
2.0"	63.9	47.6	56.0	160.0	110.0
2.5"	77.4	60.3	65.5	179.0	124.0
3.0"	90.9	73.0	75.5	199.0	143.0
4.0"	118.8	97.6	91.5	231.0	177.0



**Ball Valve-Weld End  
Dimension (mm)**

Size (Inch)	A	B	C	H	L
1.0"	25.4	22.2	38.0	124.0	69.6
1.5"	38.1	34.9	47.0	142.0	75.6
2.0"	50.8	47.6	56.0	160.0	84.6
2.5"	63.5	60.3	65.5	179.0	98.6
3.0"	76.2	73.0	75.5	199.0	117.6
4.0"	101.6	97.6	91.5	231.0	151.6

