

Solenoid Valve/Air Control Valve

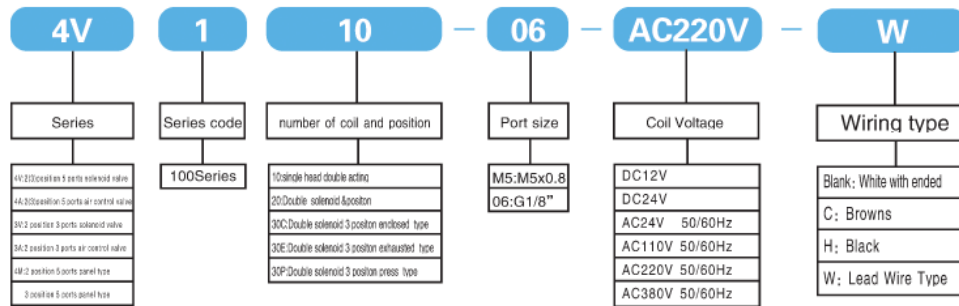
Characteristics:

- Service life: 10 million cycle times.
- The bodies are mirror finished and hardening treated.
- Equipped with imported oil seals with smaller friction and longer service life.
- With imported coils, low power consumption, speedy response.
- Capable of long service time without being damaged.

Specification:

Type	4V110-M5	4V120-M5	4V130C-M5	4V130E-M5	4V130P-M5	4V110-06	4V120-06	4V130C-06	4V130E-06	4V130P-06
Position number	Two Position Five Way		Three Position Five Way			Two Position Five Way		Three Position Five Way		
Effective sectional area	10mm ² (CV=0.56)		7mm ² (CV=0.40)			12mm ² (CV=0.67)		9mm ² (CV=0.50)		
Type	3V110-M5	3V120-M5	3A110-M5	3A120-M5	3V110-06	3V120-06	3A110-06	3A120-06		
Position number	Two Position Three Way					Two Position Three Way				
Effective sectional area	10mm ² (CV=0.56)					12mm ² (CV=0.67)				
Port size	input=output=exhausted=M5 × 0.8					input=output=exhausted=G1/8"				
Fluid	Air									
Acting type	Internally pilot-actuated									
Working pressure MPa	0.15-0.8									
Ambient temperature °C	-5-50									
Voltage range	± 10%									
Power consumption	AC:2.5VA DC:2.5W									
Insulation & Protection level	Grade F, IP65									
Wiring Form	Out wire or end type									
Max. Flux	5 times/minute									

How to order:



Solenoid Valve/Air Control Valve

Dimensions:

