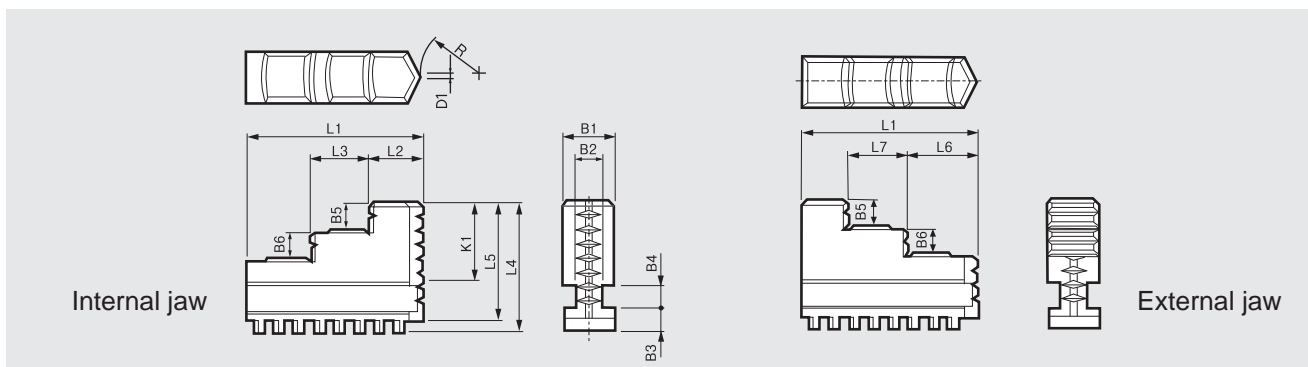


Manual Chuck Jaws

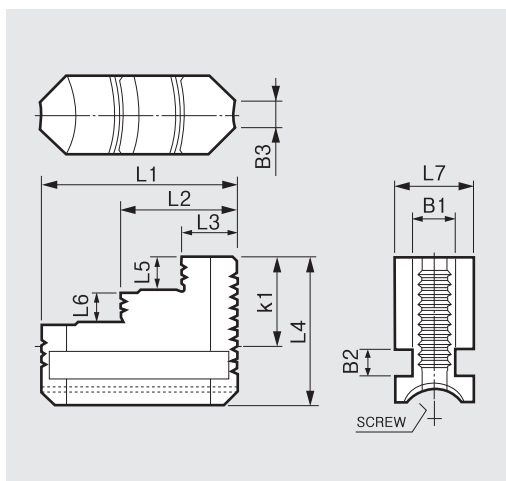


SC JAWS



	L1	L2	L3	L4	L5	L6	L7	B1	B2	B3	B4	B5	B6	K1	R	D1
SC-85(3")	35	11	10	29	26.5	16	10	11	5.7	4.7	6.55	6	6	17.75	7.5	1
SC-110(4")	42	13	13	34.5	31	19	13	14	7.2	6.2	6.55	7	4.3	21.05	11	1.5
SC-130(5")	50	15	15	40	36	21	15	16	7.2	7.7	8.2	8	7.4	23.4	15	1.5
SC-165(6")	65	20	22	46.5	42	27	22	19	9.2	8.2	8.13	10	10	25.07	20	2
SC-190(7")	75	23	25	55.5	50.5	30	25	22	11.2	9.7	9.74	12	12	30.06	25	2
SC-230(9")	85	26	28	64.5	59.5	33	28	24	13.2	11.2	11.38	14	14	35.04	30	3
SC-273(10")	98	30	33	69.5	64	38	33	28	15	11.2	11.38	15	15	40.02	37	3
SC-310(12")	110	35	35	82.5	76	43	35	30	15	13.4	16.12	16	16	45.08	43	4
SC-355(14")	133	44	42	101	94.5	53	42	35	19	14	16.2	21	22	62.98	43	4
SC-405(16")	133	44	42	101	94.5	53	42	35	19	14	16.2	21	22	62.98	43	4

IC JAWS



	L1	L2	L3	L4	L5	L6	L7	B1	B2	B3	K1	Threads/inch
IC-150(6")	55	31	14	47	10	10	25	14.5	8.2	6	25	6/inch
IC-200(8")	75	44	21	55.5	12	12	30	16	10.3	10	30	5/inch
IC-250(10")	90	54	26	61.5	14	14	30	16	10.3	10	35	5/inch
IC-300(12")	100	60	28	70.5	16	16	35	19	11.5	13.6	40	4/inch
IC-350(14")	110	67	31	75.5	18	18	35	19	11.5	14.6	45	4/inch
IC-400(16")	120	73.5	33.5	84	20	20	40	22.5	11.5	15	50	4/inch
IC-450(18")	130	80	37	89	22	22	40	22.5	11.5	15	55	4/inch
IC-500(20")	140	85	40	106	24	24	45	27.5	16.4	16	60	3.5/inch
IC-600(24")	160	99	46	116.4	28.2	28.2	50	31	16.4	18	70	3.5/inch
IC-700(28")	160	100	47	111	28	29	50	30	15.3	20	70	4/inch
IC-800(32")	200	120	55	138	30	30	60	40	20	34	89	6.0 mm

Replacement Accessories