

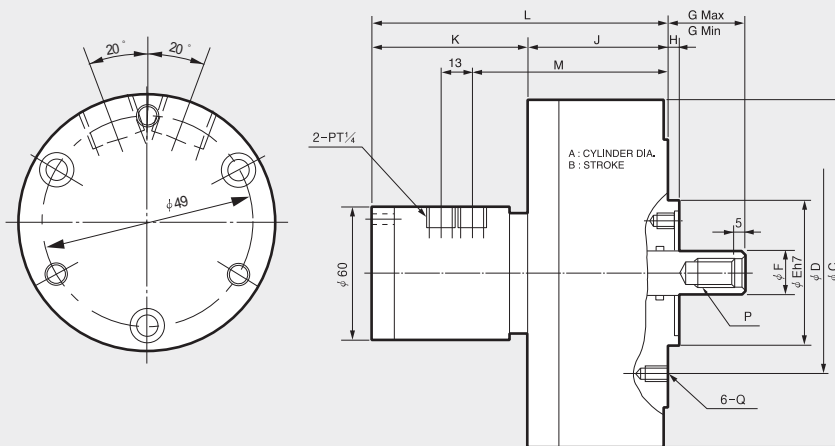
AY-R

Closed-Center Pneumatic Cylinder



- Closed-Centered Pneumatic Cylinder

PNEUMATIC CYLINDER



Dimensions

	A	B	ΦC	ΦD	ΦE(h7)	ΦF	Gmax.	Gmin.	H	J	K	L	M	N	Q	P
AY-1005R	100	5	128	90	65	20	30	25	5	53	70	123	79	M5	M6x11	M12x22
AY-1315R	130	15	156	90	65	20	35	20	5	63	70	133	89	M6	M6x11	M12x22
AY-1720R	170	20	200	100	80	25	65	45	5	82	70	152	108	M7	M10x16	M16x30
AY-2225R	220	25	255	130	110	30	71	46	5	93	70	163	119	M8	M12x20	M20x35
AY-2730R	270	30	305	130	110	35	76	46	5	103	74.5	177.5	133.5	M9	M12x20	M24x40

Specifications

Type	Piston Stroke [mm]	Piston Surface Area		Piston Force		Max. Pneumatic Pressure [MPa(kgf/cm²)]	Max. r.p.m. [min⁻¹]	Weight [kgf]	GD² [N-m²(kgf-m²)]
		Push [cm²]	Pull [cm²]	Push [kN(kgf)]	Pull [kN(kgf)]				
AY-1005R	5	78.5	73.6	5.4(552)	5.1(518)	8(0.82)	5000	4.1	0.07
AY-1315R	15	131	128	7.7(786)	7.5(770)	8(0.82)	5000	5.2	0.07
AY-1720R	20	225	220.1	13.23(1350)	12.9(1320)	8(0.82)	5000	8.3	0.11
AY-2225R	25	378	371.1	22.2(2268)	21.8(2226)	8(0.82)	4000	13.3	0.25
AY-2730R	30	570.4	560.8	33.5(3422)	33.0(3364)	8(0.82)	3000	18.7	0.75