

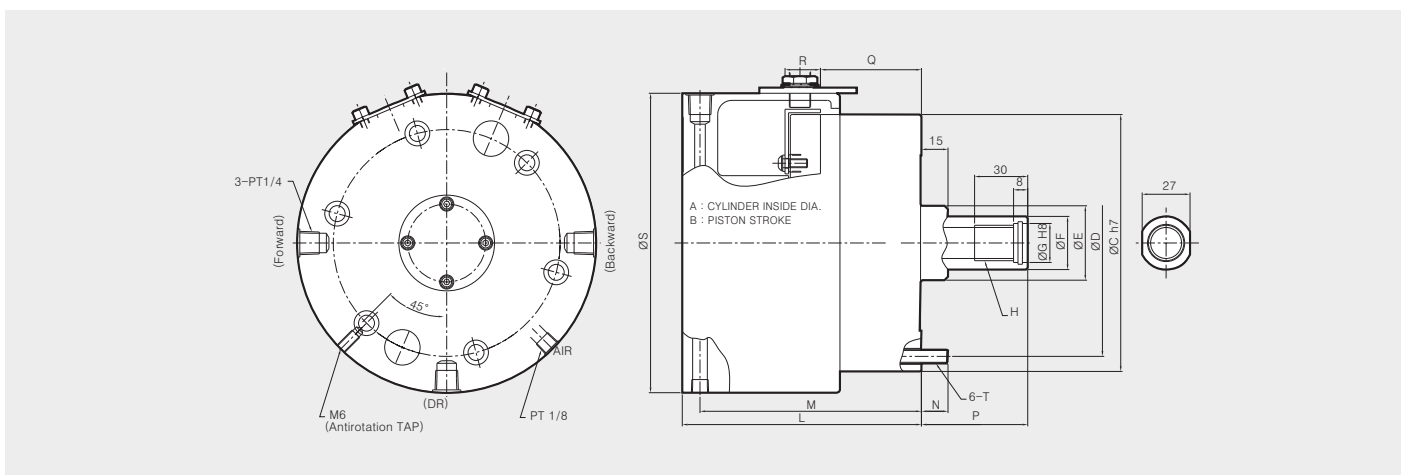
YS-RA

Ultra-Compact Closed-Center Hydraulic Cylinder with Proximity Bracket and Built-in Rotary Union

- Built-in rotary union saves space and allows air-sensing capabilities
- Includes proximity brackets



HYDRAULIC CYLINDER



Dimensions

	A	B	ΦC	ΦD	ΦE	ΦF	ΦG	H	J	K	L	M	N	Pmax.	Pmin.	Qmax.	Qmin.	R	ΦS	T
YS-11020RA	110	20	145	128	42	30	22	M20x2.5	30	15	135	125	14	60	40	77	57	20	169	M8x80
YS-12021RA	120	21	168	145	42	30	22	M20x2.5	30	15	135	125	17	60	39	78	57	20	192	M8x80
YS-13030RA	130	30	168	150	51	36	26	M24x3.0	35	15	144	134	17	60	30	90	66	20	192	M10x80

Specifications

Type	Piston Stroke [mm]	Piston Surface Area		Piston Force		Max. Operating Pressure [MPa(kgf/cm ²)]	Max. r.p.m. [min ⁻¹]	GD ² [N·m ² (kgf·m ²)]	Weight [kgf]	Total leakage [l/min]	KITAGAWA® Model
		Push [cm ²]	Pull [cm ²]	Push [kN(kgf)]	Pull [kN(kgf)]						
YS-11020RA	20	87.6	84	28(2855)	27(2753)	3.5(35.7)	6000	0.157(0.016)	8.2	1.2	-
YS-12021RA	21	105.7	102	39(3977)	38(3875)	4.0(40.8)	6000	0.274(0.028)	10.2	1.2	-
YS-13030RA	30	131.8	122.5	47(4793)	45(4589)	4.0(40.8)	6000	0.284(0.029)	10.3	1.2	-