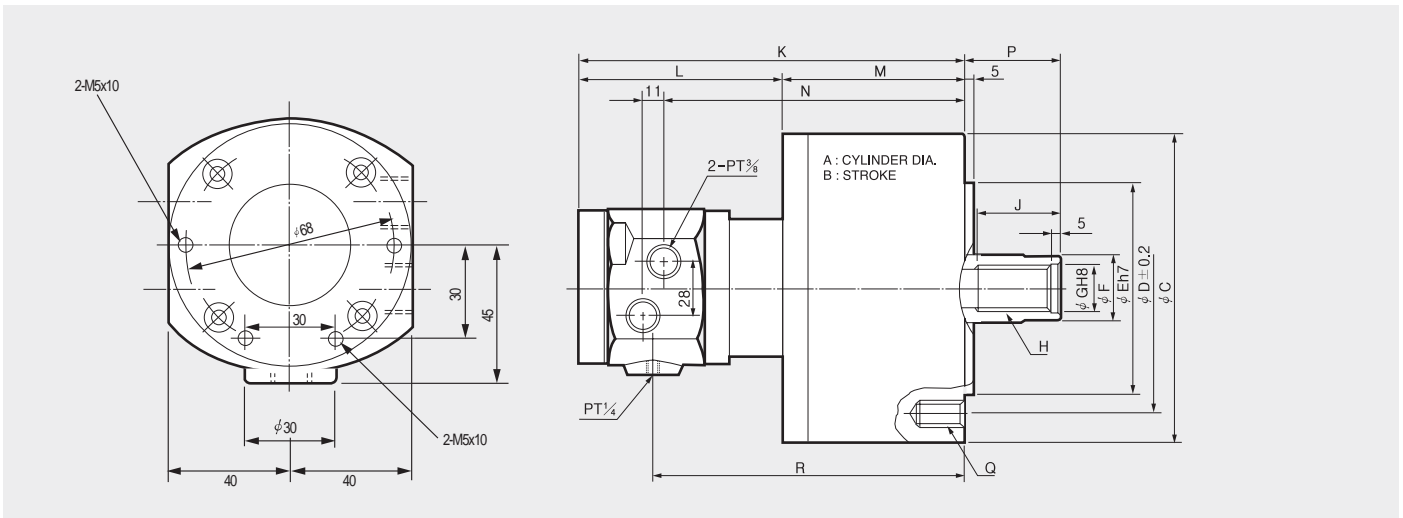
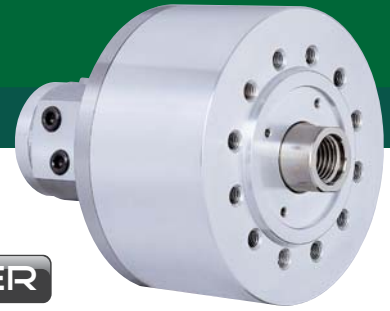


Y-R

Standard Closed-Center Hydraulic Cylinder

- Closed-centered hydraulic cylinder with built in lock and relief valves

HYDRAULIC CYLINDER



Dimensions

	A	B	ΦC	ΦD	ΦE	ΦF	ΦG	Hmax.	J	K	L	M	N	Pmax.	Pmin.	Q	R
Y-0715R	75	15	104	90	65	30	21	M20x2.5	35	172	106	66	127	46	31	6-M6x20	133
Y-1020R	105	20	135	100	80	30	21	M20x2.5	35	197	108	89	152	45	25	6-M10x20	158
Y-1225R	125	25	160	130	110	35	25	M24x3.0	44	205	108	97	160	51	26	6-M12x24	166
Y-1530R	150	30	190	130	110	45	31	M30x3.5	45	214	108	106	169	56	26	6-M12x24	175
Y-2035R	200	35	245	145	120	55	37	M36x4.0	60	228	106	122	183	69	34	12-M16x30	189

Specifications

Type	Piston Stroke [mm]	Piston Surface Area		Piston Force		Max. Operating Pressure [MPa(kgf/cm ²)]	Max. r.p.m. [min ⁻¹]	GD ² [N·m ² (kgf·m ²)]	Weight [kgf]	Total leakage [l/min]	KITAGAWA® Model
		Push [cm ²]	Pull [cm ²]	Push [kN(kgf)]	Pull [kN(kgf)]						
Y-0715R	15	44	37	16.6(1693)	13.9(1417)	4.0(40.8)	6000	0.118(0.012)	4	0.8	Y-0715R
Y-1020R	20	86	79	32.0(3264)	29(2957)	4.0(40.8)	6000	0.49(0.05)	7.1	0.8	Y-1020R
Y-1225R	25	122	113	46.0(4692)	42(4283)	4.0(40.8)	6000	0.88(0.09)	10	0.8	Y-1225R
Y-1530R	30	176	160	66.0(6732)	60(6118)	4.0(40.8)	5500	1.86(0.19)	13.5	0.8	Y-1530R
Y-2035R	35	314	290	117.0(11934)	108(11013)	4.0(40.8)	5500	3.82(0.39)	22	0.8	Y-2035R

※ Specifications are subject to change without notice.

※ Maximum turning speed is based upon actual measurement.

※ Piston Force : Hydraulic 4.0MPa (40.8kgf/cm²)

※ Total leakage pressure: 3.0 Mpa (30.6 kgf/cm²) at 50 ° C.

※ Samcully Machinery Co., Ltd, is no longer an OEM manufacturer for Kitagawa® Iron Works Co., Ltd