

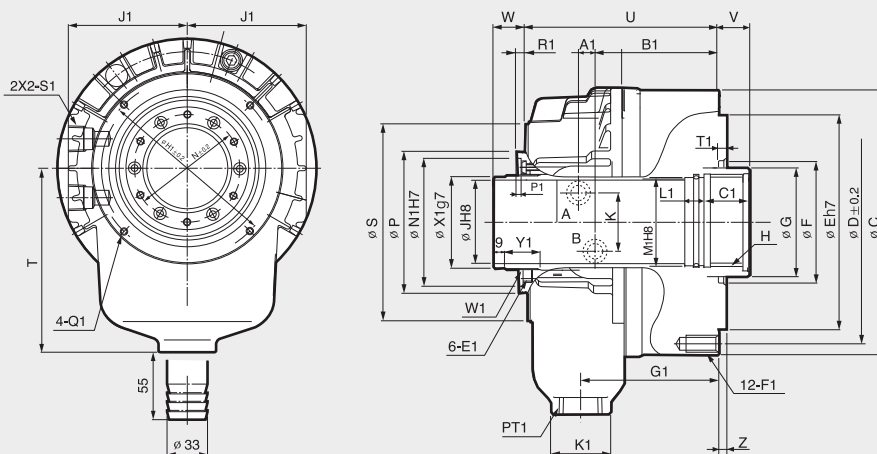
# SHL

## Mega-Bore Short-Body Long-Stroke Open-Center Hydraulic Cylinder



- Long-stroke short-body high-speed open-centered hydraulic cylinder with built-in lock and relief valves

### HYDRAULIC CYLINDER



#### Dimensions

	ΦC	ΦD	ΦE	ΦF	ΦG	Hmax.	ΦJ	K	N	ΦP	ΦS	T	U	Vmax.	Vmin.	Wmax.	Wmin.	Z	A1	B1
SHL-17068	210	190	160	120	85	M75x2.0	68	48	88	111	154	150	175	35	-5	65	25	5	10	128
SHL-18077	218	190	160	120	95	M85x2.0	77	48	98	121	164	165	182	35	-5	65	25	5	10	134.5
SHL-25011	310	275	230	166	140	M130x2.0	117.5	46	138	170	230	107.5	258	46	-4	87	37	6	19	176.5
SHL-39024	450	420	320	280	265	M250x3.0	240	30	268	310	370	340	302.5	50	-1	76	25	6	22	199
	C1	E1	F1DP'	G1	H1	J1	K1	L1	ΦM1	ΦN1	P1	Q1	R1	S1	T1	W1	ΦX1	Y1		
SHL-17068	35	M6	M10x20	133	145	97	47	15	71	100	4	M6x10	7	PT 1/2	5	M74x1.5	72.5	26		
SHL-18077	35	M6	M10x20	140	155	102	47	15	80	108	4	M6x10	7	PT 1/2	5	M84x2.0	81	26		
SHL-25011	45	M6	M16x32	190.5	206	140	55	120	123	150	5.5	M6x12	7.5	PT 1/2	6	M124x2.0	122	29		
SHL-39024	45	M6	M16x40	215	350	215	75	20	243	284	5.5	M6x12	7.5	PT 1/2	6	M253x2.0	249	38		

#### Specifications

Type	Available I.D.	Cylinder Dia.	Piston Stroke	Piston Force		Max. Operating Pressure	Max. r.p.m.	GD <sup>2</sup>	Weight	Total Leakage
	[mm]	[mm]	[mm]	Push [kN(kgf)]	Pull [kN(kgf)]	[MPa(kgf/cm <sup>2</sup> )]	[min <sup>-1</sup> ]	[N·m <sup>2</sup> (kgf·m <sup>2</sup> )]	[kgf]	[l/min]
SHL-17068	68	170	40	63(6531)	59.8(6060)	4.0(40.8)	5600	0.69(0.070)	17.8	4
SHL-18077	77	185	40	75.3(7632)	69.6(7087)	4.0(40.8)	5000	0.86(0.088)	18.5	4.2
SHL-25011	117.5	255	50	132(13390)	121(12305)	4.0(40.8)	3000	1.9(0.193)	54	7
SHL-39024	240	390	51	152.5(15570)	138.7(14152)	2.5(25)	1500	39.64(4.045)	140	22

- ※ Maximum turning speed is based upon actual measurement.
- ※ Specifications are subject to change without notice.