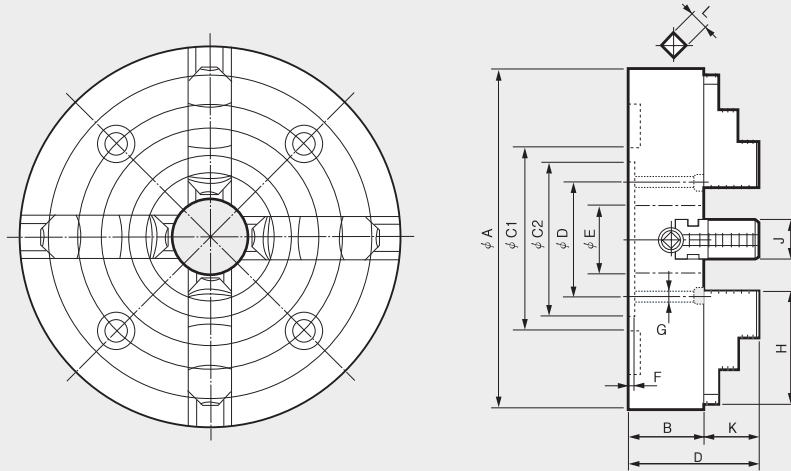


Independent Chuck (Hard Jaws) (200mm - 400mm)



- 4-jaw Independent chuck (incl. reversible hard jaws)

INDEPENDENT CHUCK



Dimensions

| | ΦA | B | $\Phi C1$ | $\Phi C2$ | ΦD | ΦE | F | G | H | J | K | L |
|-------|----------|-----|-----------|-----------|----------|----------|---|-----|-----|----|----|----|
| IC-08 | 200 | 75 | 200 | 175 | 155 | 50 | 6 | M12 | 75 | 30 | 30 | 10 |
| IC-10 | 250 | 80 | 165 | 150 | 125 | 55 | 6 | M12 | 90 | 30 | 35 | 10 |
| IC-12 | 300 | 90 | 186 | 170 | 140 | 65 | 6 | M12 | 100 | 35 | 40 | 12 |
| IC-14 | 350 | 90 | 210 | 190 | 160 | 75 | 8 | M12 | 110 | 35 | 45 | 12 |
| IC-16 | 400 | 100 | 130 | 210 | 180 | 90 | 8 | M16 | 120 | 40 | 50 | 14 |

Specifications

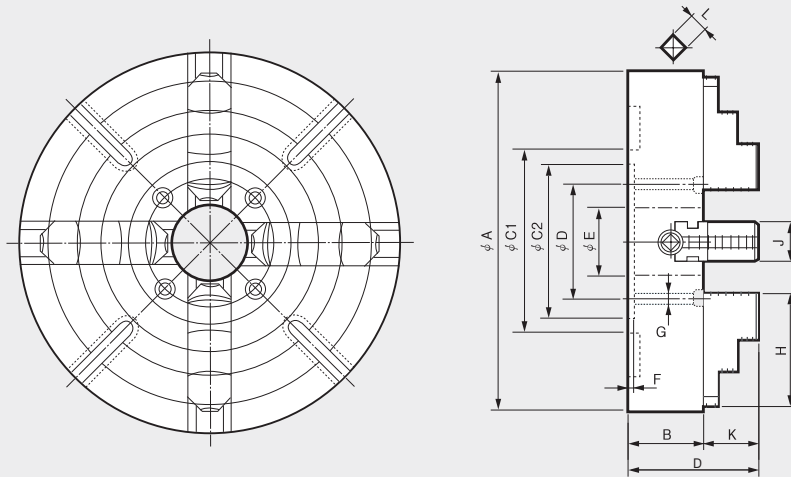
| Type | Max. Static Gripping Force | Clamping Range | | Max. r.p.m. | Weight | GD ² |
|-------|----------------------------|----------------|----------------|----------------------|--------|--|
| | [kN(kgf)] | External [φmm] | Internal [φmm] | [min ⁻¹] | [kgf] | [N·m ² (kgf·m ²)] |
| IC-08 | 1000 | 75 | 185 | 1600 | 14.8 | 0.3 |
| IC-10 | 1400 | 95 | 220 | 1600 | 21 | 0.6 |
| IC-12 | 1600 | 125 | 265 | 1400 | 29.5 | 1.4 |
| IC-14 | 1700 | 155 | 310 | 1400 | 40 | 2.9 |
| IC-16 | 2000 | 190 | 360 | 1200 | 56.5 | 4.5 |

※ Specifications are subject to change without notice.



- 4-jaw Independent chuck (incl. reversible hard jaws)

INDEPENDENT CHUCK



Dimensions

| | ΦA | B | $\Phi C1$ | $\Phi C2$ | ΦD | ΦE | F | G | H | J | K | L |
|-------|----------|-----|-----------|-----------|----------|----------|----|-----|-----|----|----|----|
| IC-18 | 450 | 105 | 230 | 230 | 200 | 100 | 8 | M16 | 130 | 40 | 55 | 14 |
| IC-20 | 500 | 110 | 272 | 250 | 220 | 110 | 8 | M16 | 140 | 45 | 60 | 14 |
| IC-24 | 600 | 120 | 330 | 300 | 260 | 120 | 10 | M20 | 160 | 50 | 70 | 14 |
| IC-28 | 710 | 120 | 382 | 350 | 300 | 130 | 12 | M20 | 190 | 55 | 85 | 14 |
| IC-32 | 813 | 120 | 440 | 400 | 350 | 140 | 12 | M20 | 190 | 55 | 85 | 19 |

Specifications

| Type | Max. Static Gripping Force | Clamping Range | | Max. r.p.m. | Weight | GD ² |
|-------|----------------------------|----------------|----------------|----------------------|--------|--|
| | [kN(kgf)] | External [φmm] | Internal [φmm] | [min ⁻¹] | [kgf] | [N·m ² (kgf·m ²)] |
| IC-18 | 2000 | 220 | 405 | 1200 | 70 | 7 |
| IC-20 | 2200 | 250 | 450 | 900 | 90 | 11.8 |
| IC-24 | 2300 | 320 | 550 | 900 | 150 | 25.3 |
| IC-28 | 2396 | 385 | 650 | 900 | 247 | 58 |
| IC-32 | 2447 | 485 | 750 | 600 | 357 | 103 |

※ Specifications are subject to change without notice.