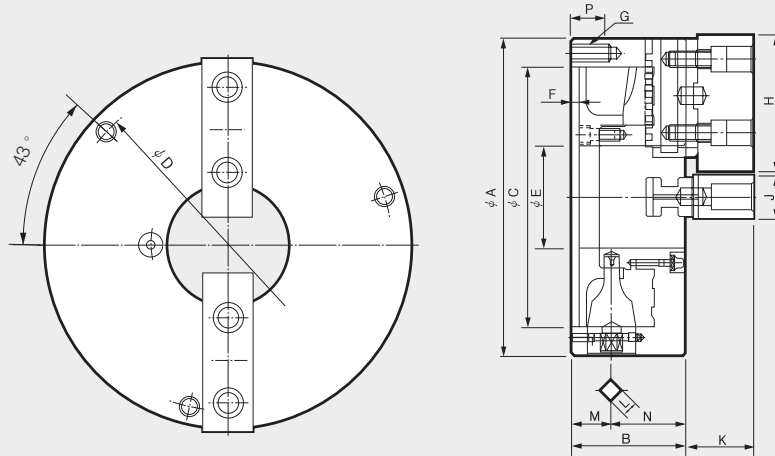


ST

2-Jaw Scroll Chuck (Soft top Jaws)

- 2-jaw scroll chuck with 2-piece jaw (incl. soft top jaws)

SCROLL CHUCK



Dimensions

	ϕA	B	$\phi C(H6)$	ϕD	ϕE	F	G	H	J	K	L	M	N	P
ST-190(7")	192	78.7	155	172	57	5	3-M10	88	32	44.8	11	27.5	51.2	20
ST-230(9")	232	83.7	190	210	75	6	3-M12	100	32	49.8	12	29.5	54.2	25
ST-273(10")	273	88	230	250	89	6	3-M12	110	35	54.32	12	31.5	56.5	25
ST-310(12")	310	96	260	285	100	7	3-M12	125	40	50.58	14	31.5	64.5	25

Specifications

Type	Max. Static Gripping Force	Clamping Range		Handle Torque	Max. r.p.m.	Weight	GD ²
	[kN(kgf)]	External [φmm]	Internal [φmm]	[N·m(kgf·m)]	[min ⁻¹]	[kgf]	[N·m ² (kgf·m ²)]
ST-190(7")	20.7(2110)	4-180	62-170	73.5(7.5)	3500	12.6	2.55(0.26)
ST-230(9")	24.7(2518)	5-220	70-210	98(10.0)	2900	21.4	6.27(0.64)
ST-273(10")	46(4691)	5-260	70-250	176.5(18.0)	2500	28	9.90(1.01)
ST-310(12")	55(5608)	10-300	86-290	206(21.0)	2200	41	23.0(2.35)

※ Specifications are subject to change without notice.