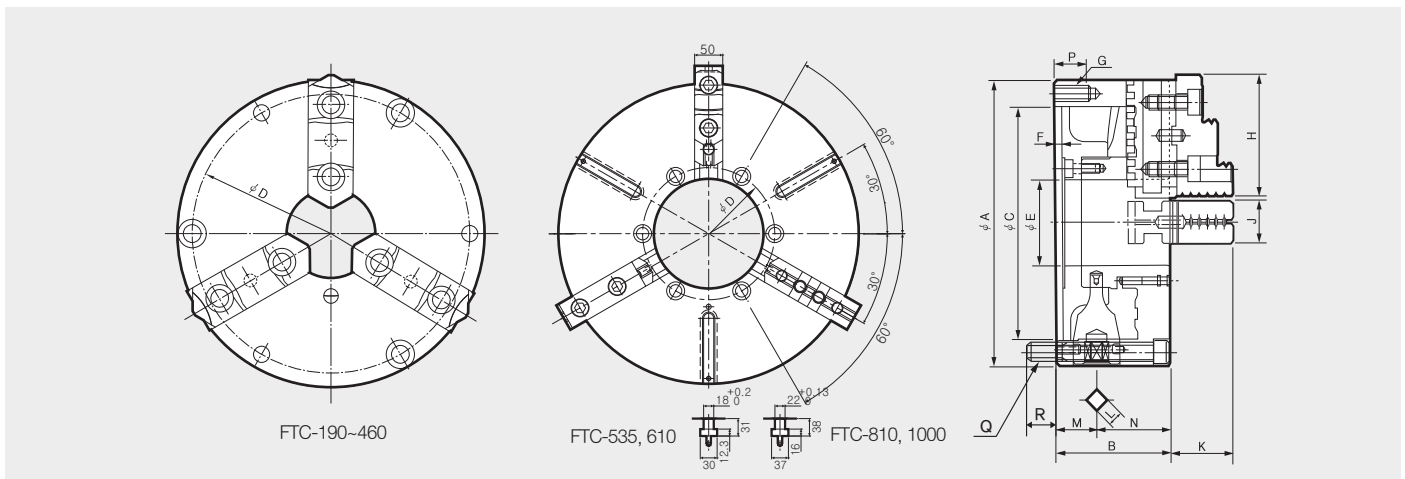


Front-Mounting Scroll Chuck (Soft and Hard top Jaws)



- Front-mounting 2-piece jaw scroll chuck (incl. soft and hard top jaws)

SCROLL CHUCK



Dimensions

	ΦA	B	ΦC(H6)	ΦD	ΦE	F	G	H	J	K	L	M	N	P	Q	R
FTC-190(7")	192	78.7	155	172	57	5	3-M10	80.5	28	42.8	11	27.5	51.2	20	3-M10x90	22
FTC-230(9")	232	83.7	190	210	75	6	3-M12	90.5	32	53.8	12	29.5	54.2	25	3-M12x95	24
FTC-273(10")	273	88	230	250	89	6	3-M12	103.5	35	57.82	12	31.5	56.5	25	3-M12x95	20
FTC-310(12")	310	96	260	285	100	7	3-M12	115.5	40	56.08	14	31.5	64.5	25	3-M12x110	27
FTC-460(18")	460	114	400	425	190	8	-	140(130)	50	80	17	38.2	76	-	3-M16x125	29
FTC-535(21")	535	143	270	235	195	12	-	150(130)	50	82	22	57.5	85.5	-	3-M20x140	32
FTC-610(24")	610	143	380	315	275	14	-	130	50	82	22	57.5	85.5	-	3-M20x140	33
FTC-810(32")	810	180	520	425	375	16	-	248	70	95	22	64	116	-	3-M24x140	32
FTC-1000(40")	1000	196	910	510	580	16	-	286	70	95	22	69.5	126.5	-	3-M24x190	35

Specifications

Type	Max. Static Gripping Force	Clamping Range		Handle Torque	Max. r.p.m.	Weight	GD ²
	[kN(kgf)]	External [φmm]	Internal [φmm]	[N·m(kgf·m)]	[min ⁻¹]	[kgf]	[N·m ² (kgf·m ²)]
FTC-190(7")	31(3161)	4-180	56-170	107.9(11.0)	3500	12.2	2.35(0.24)
FTC-230(9")	37(3773)	5-220	62-210	147(15.0)	2900	21.2	6.27(0.64)
FTC-273(10")	46(4691)	5-260	70-250	176.5(18.0)	2500	28	9.90(1.01)
FTC-310(12")	55(5608)	10-300	86-290	206(21.0)	2200	41	23.0(2.35)
FTC-460(18")	65(6650)	40-410	152-436	255.0(26)	1200	106	124(12.6)
FTC-535(21")	73(7400)	45-481	155-499	313.9(32)	950	182	287(29.3)
FTC-610(24")	80(8200)	130-576	235-592	372.7(38)	850	238	488(49.8)
FTC-810(32")	110(11216)	270-810	390-800	588(60)	650	480	598(61)
FTC-1000(40")	110(11216)	340-990	450-940	588(60)	470	780	598(61)

※ Specifications are subject to change without notice.