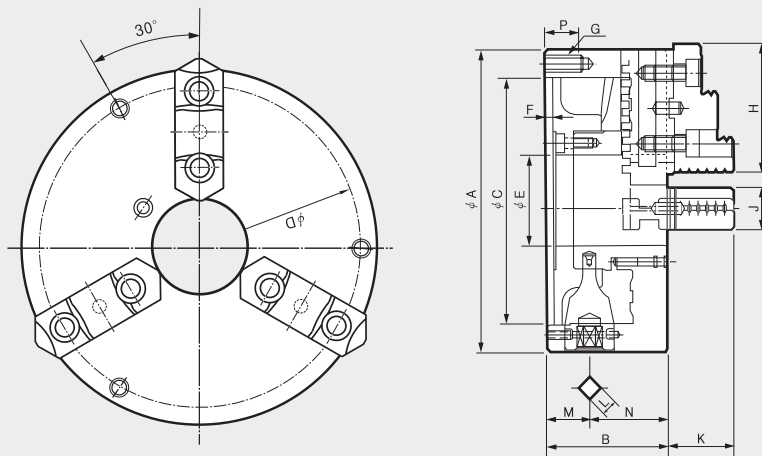


# TC

## Standard Scroll Chuck (Soft and Hard top Jaws)

- Standard 2-piece jaw scroll chuck (incl. soft and hard top jaws)

### SCROLL CHUCK



#### Dimensions

	ΦA	B	ΦC	ΦD	ΦE	F	G	H	J	K	L	M	N	P
TC-190(7")	192	78.7	155	172	57	5	3-M10	80.5	28	42.8	11	27.5	51.2	20
TC-230(9")	232	83.7	190	210	75	6	3-M12	90.5	32	53.8	12	29.5	54.2	25
TC-273(10")	273	88	230	250	89	6	3-M12	103.5	35	57.82	12	31.5	56.5	25
TC-310(12")	310	96	260	285	100	7	3-M12	115.5	40	56.08	14	31.5	64.5	25

#### Specifications

Type	Max. Static Gripping Force	Clamping Range		Handle Torque	Max. r.p.m.	Weight	GD <sup>2</sup>
	[kN(kgf)]	External [φmm]	Internal [φmm]	[N·m(kgf·m)]	[min <sup>-1</sup> ]	[kgf]	[N·m <sup>2</sup> (kgf·m <sup>2</sup> )]
TC-190(7")	31(3161)	4-180	56-170	107.9(11.0)	6500	12.2	2.35(0.24)
TC-230(9")	37(3773)	5-220	62-210	147(15.0)	2900	21.2	6.24(0.64)
TC-273(10")	46(4691)	5-260	70-250	173.5(18.0)	2500	28	9.90(1.01)
TC-310(12")	55(5608)	10-300	86-290	206(21.0)	2200	41	23.0(2.35)

※ Specifications are subject to change without notice.