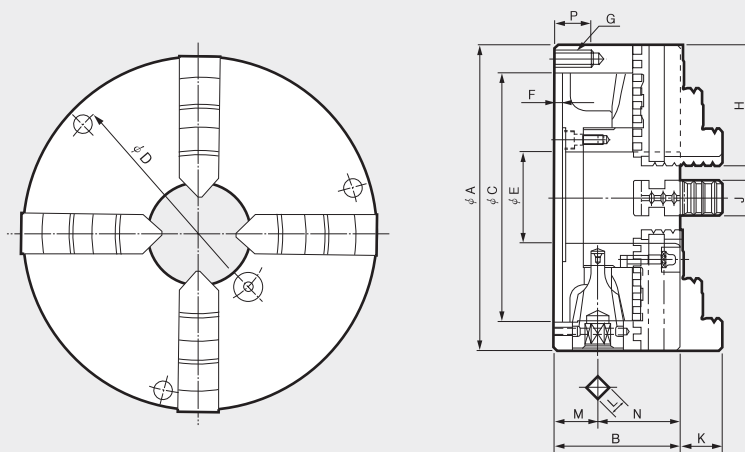


4-Jaw Scroll Chuck (Hard Jaws)

- 4-jaw scroll chuck with solid jaws (incl. internal and external hard jaws)

SCROLL CHUCK



Dimensions

	ϕA	B	$\phi C(H6)$	ϕD	ϕE	F	G	H	J	K	L	M	N	P
SF-190(7°)	192	75	155	172	57	5	3-M10	75	22	30.06	11	27.5	47.5	20
SF-230(9°)	232	84	190	210	75	6	3-M12	85	24	35.04	12	29.5	54.5	25
SF-273(10°)	273	86	230	250	89	6	3-M12	98	28	40.02	12	31.5	54.5	25
SF-310(12°)	310	96	260	285	100	7	3-M12	110	30	45.08	14	31.5	64.5	25

Specifications

Type	Max. Static Gripping Force	Clamping Range		Handle Torque	Max. r.p.m.	Weight	GD ²
	[kN(kgf)]	External [mm]	Internal [mm]	[N·m(kgf·m)]	[min ⁻¹]	[kgf]	[N·m ² (kgf·m ²)]
SF-190(7°)	31(3161)	4-180	56-170	107.9(11.0)	3500	12.5	2.45(0.25)
SF-230(9°)	37(3773)	5-220	62-210	147(15.0)	2900	21.5	6.37(0.65)
SF-273(10°)	46(4691)	5-260	70-250	176.5(18.5)	2500	28	9.90(1.01)
SF-310(12°)	55(5608)	10-300	86-290	206(21.0)	2200	41	23.0(2.35)

※ Specifications are subject to change without notice.