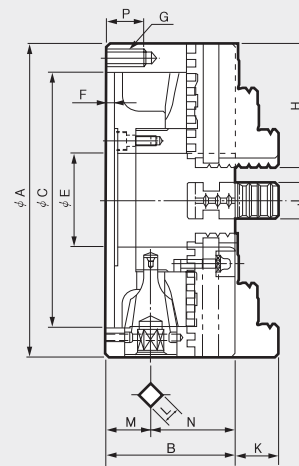
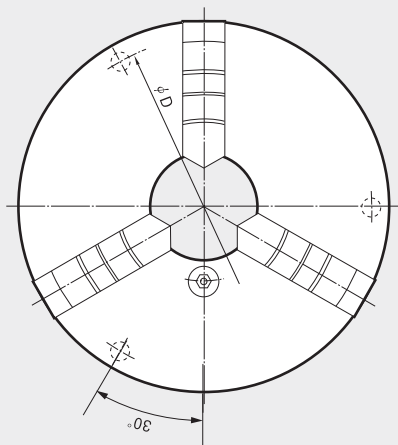


Standard Scroll Chuck (Hard Jaws) (85mm -192mm)

- Standard solid jaw scroll chuck
(incl. internal and external hard jaws)

SCROLL CHUCK



Dimensions

	ϕA	B	$\phi C(H6)$	ϕD	ϕE	F	G	H	J	K	L	M	N	P
SC-85(3")	85	44.1	60	73	16	3.5	3-M6	35	11	14.6	7	17	27.1	13
SC-110(4")	110	58	80	96	24	4.5	3-M8	44	14	20.0	8	24.5	32.35	16
SC-130(5")	130	60	100	115	34	4.5	3-M8	50	16	20.1	8	22.5	37	16
SC-165(6")	167	65	130	147	45	5	3-M10	65	19	25.07	10	24	41	20
SC-190(7")	192	75	155	172	57	5	3-M10	75	22	30.06	11	27.5	47.5	20

Specifications

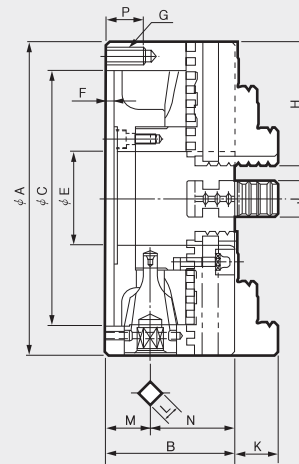
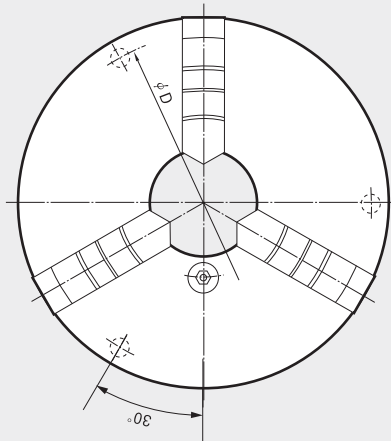
Type	Max. Static Gripping Force	Clamping Range		Handle Torque	Max. r.p.m.	Weight	GD ²
	[kN(kgf)]	External [mm]	Internal [mm]	[N·m(kgf·m)]	[min ⁻¹]	[kgf]	[N·m ² (kgf·m ²)]
SC-85 (3")	9(918)	2-70	24-64	29.4(3.0)	2500	1.5	0.05(0.005)
SC-110 (4")	12(1224)	3-94	29-84	44.1(4.1)	2500	3.1	0.17(0.017)
SC-130 (5")	15(1530)	3-110	3-100	63.7(6.5)	2500	4.4	0.35(0.036)
SC-165 (6")	31(3161)	3-160	48-150	88.3(9.0)	4000	11.4	1.18(0.12)
SC-190 (7")	31(3161)	4-180	56-170	107.9(11.0)	3500	12.2	2.35(0.24)

※ Specifications are subject to change without notice.

Standard Scroll Chuck (Hard Jaws) (232mm - 405mm)

- Standard solid jaw scroll chuck
(incl. internal and external hard jaws)

SCROLL CHUCK



Dimensions

	ϕA	B	$\phi C(H6)$	ϕD	ϕE	F	G	H	J	K	L	M	N	P
SC-230(9°)	232	84	190	210	75	6	3-M12	85	24	35.04	12	29.5	54.5	25
SC-273(10°)	273	86	230	250	89	6	3-M12	98	28	40.02	12	31.5	54.5	25
SC-310(12°)	310	96	260	285	100	7	3-M12	110	30	45.08	14	31.5	64.5	25
SC-355(14°)	355	110	300	328	105	8	6-M12	133	35	62.98	14	42.4	67.6	36
SC-405(16°)	405	114.5	345	375	130	8	6-M12	133	35	63	15	43	71.5	36

Specifications

Type	Max. Static Gripping Force	Clamping Range		Handle Torque	Max. r.p.m.	Weight	GD ²
		External [qmm]	Internal [qmm]				
SC-230 (9°)	[kN(kgf)]	5-200	62-210	[N·m(kgf·m)]	[min ⁻¹]	[kgf]	[N·m ² (kgf·m ²)]
SC-230 (9°)	37(3773)	5-200	62-210	147(15.0)	2900	21.2	6.27(0.64)
SC-273 (10°)	46(4691)	5-260	70-250	176.5(18.0)	2500	28	9.90(1.01)
SC-310 (12°)	55(5608)	10-300	86-290	206(21.0)	2200	41	23.0(2.35)
SC-355 (14°)	40.5(4130)	25-315	107-290	225.6(23.0)	1500	54	37.2(3.8)
SC-405 (16°)	45(4589)	25-346	113-324	245(25.0)	1500	74	67.6(6.9)

※ Specifications are subject to change without notice.