

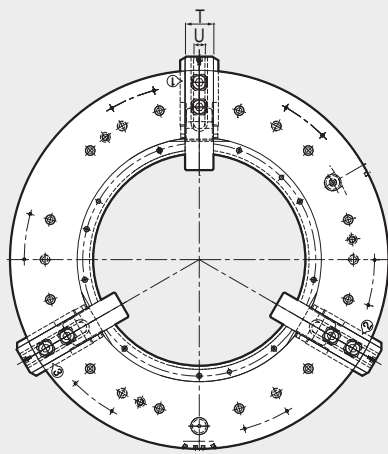
PAC

Mega-Bore Pneumatic Self-Contained Chuck

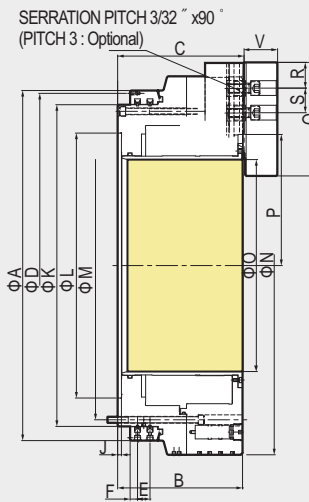


- Ideal for gripping large diameter pipe
- Built-in non-return valves maintain the air pressure during machining
- Self-contained actuation eliminates the need for hydraulics

PNEUMATIC CHUCK



It is recommended to grease chucks at least twice a day in order to maximize longevity.



Dimensions

	ΦA	B	C	ΦD	E	F	J	ΦK	ΦL	ΦM	ΦN	ΦO	P Max.	P Min.	Q	R	S	T	U	V
PAC-47191	470	238	240	448	26	17	8	400	310	374	470	191	147	127	170	25	40	60	25.5	60
PAC-50230	570	280	282	550	26	17	8	500	415	474	570	230	180.5	156	195	37	40	60	25.5	80
PAC-60275	605	280	284	585	26	17	8	535	450	508	605	275	205.9	180.5	195	37	40	60	25.5	78
PAC-63325	685	305.5	329.5	666	33	19	8	610	510	580	685	325	230.9	205.5	240	42	65	75	30	80
PAC-85375	850	352	356	830	33	19.5	8	775	700	745	850	375	268	268	300	68	65	75	30	90
PAC-10056	1000	330	334	910	33	19.5	10	850	700	815	1000	560	346.3	321.1	300	68	65	75	30	88

Specifications

Type	Thru Hole Dia. [mm]	Jaw Stroke Dia.			Operating Pressure [Bar]	Clamping Force (6bar) [kN]	Max. R.P.M. [min ⁻¹]	Weight [Kg]	GD ² [N·m ² (kgf·m ²)]
		Total	Rapid	Clamp					
PAC-47191	191	20	13	7	2-8	115	1300	190	9.8
PAC-50230	230	25.4	16.9	8.5	2-8	170	1300	325	16.1
PAC-60275	275	25.4	16.9	8.5	2-8	180	1100	355	20.6
PAC-63325	325	25.4	16.9	8.5	2-8	280	900	505	35.1
PAC-85375	375	25.47	13.47	12	2-8	200	750	970	105
PAC-10056	560	25.4	15	10.4	2-8	280	450	960	157.6