

# DP

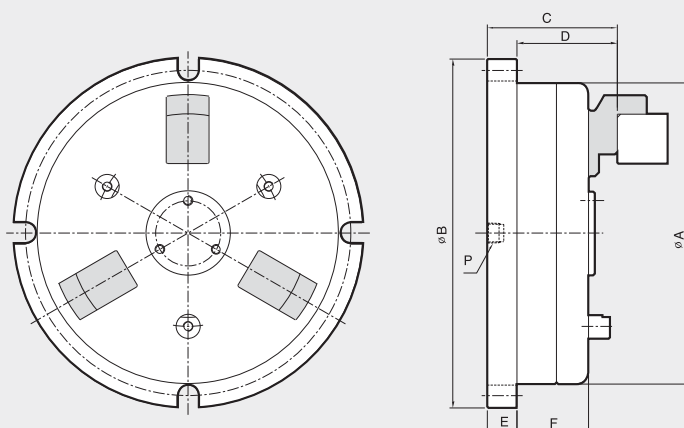
## Diaphragm Chuck

- Accuracy to 0.002mm ideal for hard turning gears
- Counter centrifugal design
- Sealed body eliminates maintenance
- Jaws change easily for quick set-up
- Self-contained cylinder



**SPECIAL CHUCK**

Special Chuck



### Dimensions

	$\phi A$	$\phi B$	C	D	E	F	P
DP-06	171.4	208	92	72.9	19.1	65	1/4
DP-08	212.9	246	96.8	77.7	19.1	70	1/4
DP-10	251	284	96.8	77.7	19.1	85	1/4
DP-13	327.2	360	108	88.9	19.1	85	1/4
DP-17	428.9	476	109.5	90.4	19.1	85	1/4

### Specifications

Type	Max. Clamping Force	No. of Jaw	Jaw Stroke	Grip Dia.	Max. Speed	Pressure	Weight
	[kgf]		[mm]	[mm]	[r.p.m.]	[kgf/cm <sup>2</sup> ]	[kg]
DP-06	450	3 (6Jaw)	0.23	44-107	4500	4.5	11
DP-08	720	3 (6Jaw)	0.25	76-143	4000	4.5	20
DP-10	1150	3 (6Jaw)	0.25	114-181	3500	4.5	26.5
DP-13	2000	3 (6Jaw)	0.35	150-248	3000	4.5	43
DP-17	3600	3 (6Jaw)	0.40	203-349	2000	4.5	89