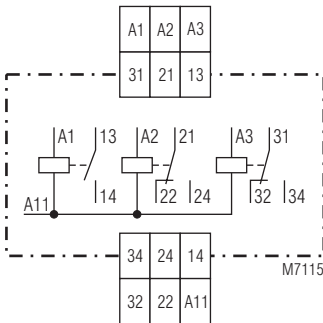


0232910

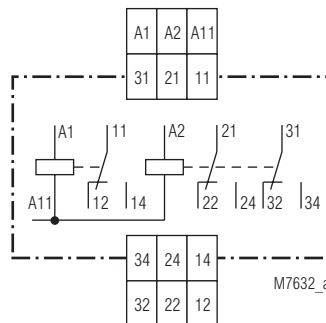


- According to IEC/EN 60 255, IEC/EN 61 810-1
- Compact version with 3 separate relay systems
- Available also for switching of low loads
- 2 x 1 changeover contact, 1 x 1 NO contact or 1 x 1 changeover contact, 1 x 2 changeover contacts
- LED indication
- Width 22,5 mm

Circuit diagrams



MK 3046.29



MK 3046.13

Approvals and marking



Application

For separating potentials

Indication

3 LEDs: on, when associated output relay is energised

Technical data

Input

Nominal voltage U_N : DC 24 V
Voltage range: 0,8 ... 1,1 U_N
Nominal consumption: 0,5 W

Output

Contacts

MK 3046.29: 2 x 1 changeover contacts,
1 x 1 NO contact
 MK 3046.13: 1 x 1 changeover contact,
1 x 2 NO contacts

Turn-on time: 5 ms
Turn-off time: 7 ms
Thermal current I_{th} : 5 A

Switching capacity to AC 15

NO contact: 3 A / AC 230 V IEC/EN 60 947-5-1
 NC contact: 1 A / AC 230 V IEC/EN 60 947-5-1

Electrical life to AC 15 at 3 A, AC 230 V: 0,5 x 10⁵ switching cycles IEC/EN 60 947-5-1

Permissible switching frequency: 7 200 switching cycles / h

Short circuit strength

max. fuse rating: 4 A gL IEC/EN 60 947-5-1
Mechanical life: 30 x 10⁶ switching cycles

General data

Operating mode: Continuous operation
Temperature range: - 20 ... + 60 °C

Clearance and creepage distances

overvoltage category / contamination level: 4 kV / 2 IEC 60 664-1

Technical data

EMC

Electrostatic discharge:	8 kV (air)	IEC/EN 61 000-4-2
HF-irradiation:	10 V/m	IEC/EN 61 000-4-3
Fast transients:	2 kV	IEC/EN 61 000-4-4
Surge voltages between wires for power supply:	1 kV	IEC/EN 61 000-4-5
between wire and ground:	2 kV	IEC/EN 61 000-4-5
Interference suppression:	Limit value class B	EN 55 011

Degree of protection:

Housing:	IP 40	IEC/EN 60 529
Terminals:	IP 20	IEC/EN 60 529

Housing: Thermoplastic with V0 behaviour according to UL subject 94

Vibration resistance: Amplitude 0,35 mm
frequency 10 ... 55 Hz IEC/EN 60 068-2-6

Climate resistance: 20 / 060 / 04 IEC/EN 60 068-1

Terminal designation: EN 50 005

Wire connection: 2 x 1,5 mm² solid or
2 x 1,0 mm² stranded wire with sleeve
DIN 46 228-1/-2/-3/-4

Wire fixing: Flat terminals with self-lifting
clamping piece IEC/EN 60 999-1

Mounting: DIN rail IEC/EN 60 715

Weight: 135 g

Dimensions

Width x height x depth: 22,5 x 82 x 99 mm

Standard type

MK 3046.29 DC 24 V

Article number: 0034189 stock item

• Output: 2 x 1 changeover contact,
1 x 1 NO contact

• Nominal voltage U_N : DC 24 V

• Width: 22,5 mm

Variants

MK 3046.__/004: for low loads from 0,1 ... 60 V,
1 mA ... 300 mA

MK 3046.__/100: 1. system for DC 48 V
(connection A1 - A11)
2. and 3. system for DC 24 V
(connections A2, A3 - A11)

Ordering example vor Variants

MK 3046 .29 / _ _ _ DC 24 V

