

## Pressure Transmitters



**ATEX**

### FEATURES

- Ranges to 15,000 psi (0-1,000 bar)
- <0.15% accuracy class
- 4-20mA 2-wire output
- ATEX I.S. certification
- Duplex stainless steel construction
- Sour Service standard

### DESCRIPTION

General purpose 9420 Series pressure transmitters share fused-ceramic diaphragm and fixed-range 4 - 20mA 2-wire output amplifier technology with the rugged P9420-800 Series Hammer-Lug Union transmitters. Housed in a thick walled casing of the highest specification material, the 9420 Series is ideally suited to rugged and corrosive service in an oil field environment; Sour Service is standard.

9420 transmitters are available with a wide variety of connector options to suit your system requirements. Each unit carries a 2-year warranty.

### APPLICATIONS

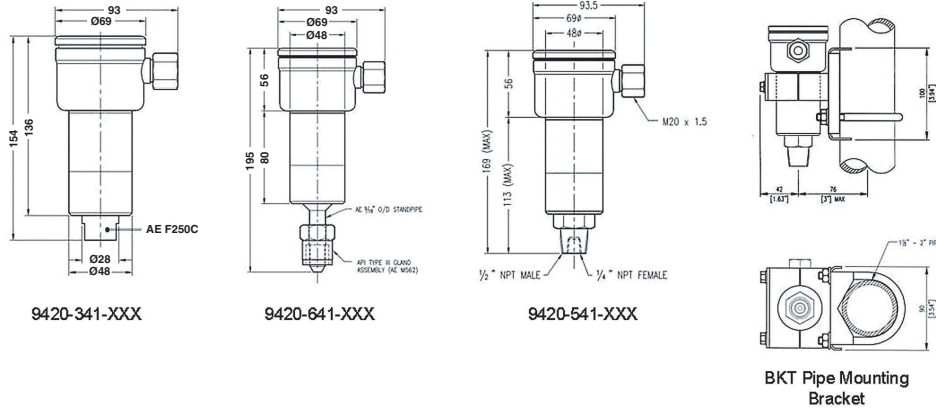
- Surface datalogging
- B.O.P. control systems
- Wellhead monitoring
- Mud logging

### ORDERING INFORMATION

**X 9 4 2 0 - X X X - X X X X P - X X X**

<p><b>Pressure Ref.</b> P = Sealed Gage PSIS V = Vented Gage PSIG</p> <p><b>Series 9000</b></p> <p><b>Output (4 - 20mA)</b></p> <p><b>Pressure Port</b> 1 = API - BX Flanged 2 = Subsea Wet Configuration 3 = AE F250C (1/4" High Pressure) 4 = Grayloc 1 GR4 Clamp Hub 5 = 1/4" NPT fem &amp; 1/2" NPT male (stock type) 6 = AE 562, 9/16" High Pressure API type III 7 = G1/4 ISO228/1 (1/4" BSPP port) 8 = Custom Port 9 = Custom Port</p> <p><b>Electrical Termination</b> 1 = Jupiter TP Series Plug / Socket 2 = Fischer DBEE 105 Plug / Socket 3 = Glenair GC379 Series Plug / Socket 4 = 2 pin Header thru M20 Male 5 = High Pressure Feed Through 6 = Custom e.g. ROTA Plug / Socket 7 = Custom Connection IP66 Minimum</p> <p><b>Cable / Accessories</b> 0 = None 1 = Terminal Head, K8000 Type, M20 Entry 2 = Terminal Box / Mounting, H20TS Type 3 = Custom, IP66 Minimum 4 = Custom, IP66 Minimum</p>	<p><b>Special Option Code</b> e.g. Materials etc.</p> <p><b>Pressure Range (Fixed - non adjustable)</b> 0035 = 0 - 35 bar or, with "P" suffix, = 0 - 500 psi 0070 = 0 - 70 bar or, with "P" suffix, = 0 - 1,000 psi 0100 = 0 - 100 bar or, with "P" suffix, = 0 - 1,500 psi 0200 = 0 - 200 bar or, with "P" suffix, = 0 - 3,000 psi 0350 = 0 - 350 bar or, with "P" suffix, = 0 - 5,000 psi 0700 = 0 - 700 bar or, with "P" suffix, = 0 - 10,000 psi 1000 = 0 - 1,000 bar or, with "P" suffix, = 0 - 15,000 psi</p> <p>Special Ranges - Please Enquire.</p>
--	---

### OUTLINE DIMENSIONS



### SPECIFICATIONS

<b>Ranges</b>		0 - 500 psi thru 0 - 15,000 psi (0 - 35 bar thru 0 - 1000 bar)
<b>Performance</b>	Accuracy	<0.15% FSO combined error, non-linearity, hysteresis & repeatability
	Stability	<0.1% FSO per year
	Rise time to full scale	<2ms
	Thermal effects on zero output	±0.008% FSO/°C
	Thermal effects on FSO (span)	±0.008% FSO/°C
	Temperature range	Operational -30°C to +90°C, Storage -40°C to +120°C
<b>Electrical</b>	Output	4 - 20mA, 2 wire
	Full scale output (FSO)	20mA±0.08mA
	Zero pressure output	4mA±0.08mA
	Supply voltage	12 - 28Vdc
	Loop resistance	100Ω - 900Ω
	Insulation resistance	>500MΩ @ 500Vrms
<b>Mechanical</b>	Safe overpressure	150% range
	Min burst pressure	300% range (<10,000 psi), 250% range (15,000 psi)
	Wetted parts material	Al <sub>2</sub> O <sub>3</sub> UNS S31803 Duplex St Steel
<b>Mounting</b>	Not attitude conscious	Via pressure port on 5XX, 6XX process connections, or flanges and hubs. Mounting bracket / pipe clamp for tubing or flexible hose connected parts
<b>Environmental</b>	Protection	IP68 BS5490: 1977, IEC 529: 1976
	RFI / EMC immunity	Tested to IEC 801-3 Parts 2, 3, 4 & 6 EN 50082-2
	Intrinsic safety certification	EXia IIc T4 Sira 02ATEX2388X
<b>Media Compliance</b>		NACE MR-01-75 Rev03 Sour Gas rated
<b>Shock / Vibration</b>		IEC 68 Test Ea 100g / 6ms, 3 axes Test Fc 10 - 800Hz, 5g, 3 axes