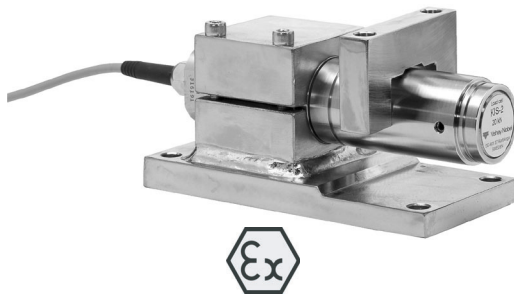


## Weigh Module



### FEATURES

- Capacity range: 1, 2, 5, 10, 20, and 30kN (225, 450, 1.12K, 2.25K, 4.5K, and 6.75Klb)
- Simple installation
- Moveable load point
- Withstands very high lateral forces
- Extremely accurate and rugged
- ATEX certified for hazardous locations

### DESCRIPTION

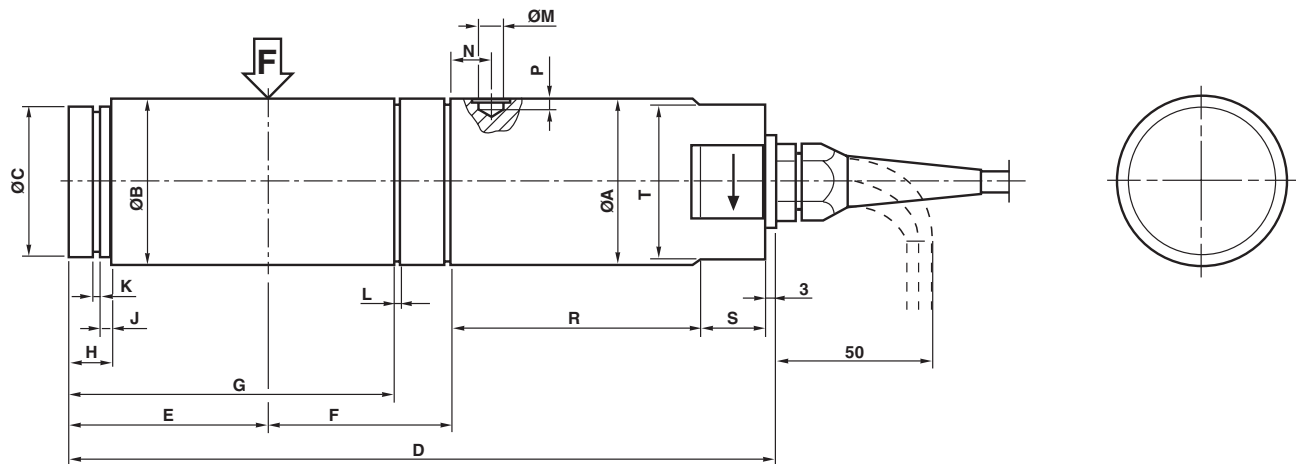
The KIS-2 load cells have several features that clearly distinguish them from other load cells. They are easy to install and extremely accurate, even when subjected to dynamic process forces and severe

environmental conditions. All KIS load cells can be ATEX certified for use in explosive atmospheres.

### APPLICATIONS

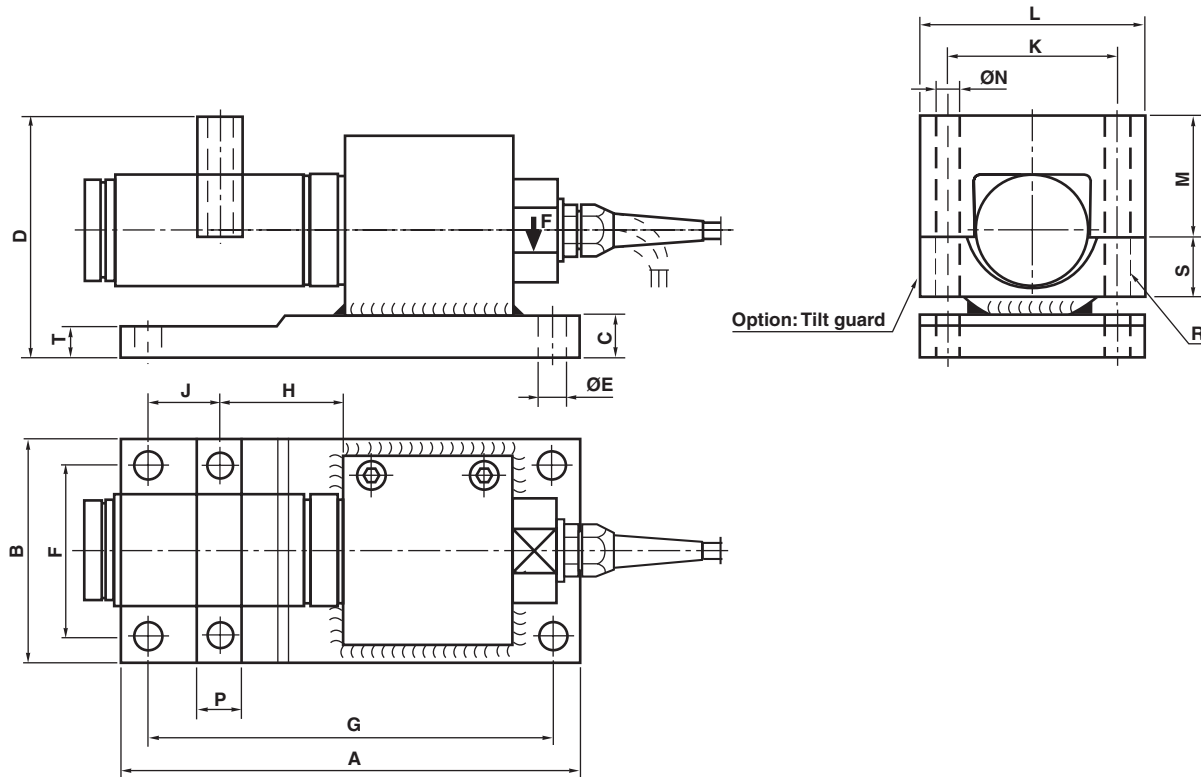
- Batch/blend/mix systems
- Reactor vessels
- Quality-critical process weighing
- Precision force measurement
- Conveyor belts

### OUTLINE DIMENSIONS



RANGE kN	ØA	ØB	ØC	D	E	F	G	H	J	K	L	ØM	N	P	R	S	T
1-2-5	34	33	29	169	46	35	-	10	2.5	1.6	-	4.4	10	2.3	70	15	30
10-20-30	51	50	45	213	60	55	97.85	13	4	1.85	2.15	7.5	12	5	75	20	46

**OUTLINE DIMENSIONS** cont.



RANGEkN	A	B	C	D	ØE	F	G	H	J	K	L	M	ØN	P	T	R	S
1-2-5	175	75	14	81	12	51	151	35	31	55	70	41	8.5	20	14	M8	19
10-20-30	204	100	19	107.5	12	76	180	55	32	75	100	54	11	20	14	M10	27

**SPECIFICATIONS**

<b>Rated load (R.L.)</b>		1, 2, 5, 10, 20, 30	kN
<b>Combined error (terminal)</b>		±0.05	% of R.O.
<b>Repeatability</b>		0.01	% of R.O.
<b>Overload</b>	<b>safe</b>	100* 50* for 30kN	% of R.L.
	<b>ultimate</b>	200* 100* for 30kN	% of R.L.
<b>Sideload</b>	<b>safe</b>	100* 50* for 30kN	% of R.L.
	<b>ultimate</b>	200* 100* for 30kN	% of R.L.
<b>Input voltage</b>	<b>recommended</b>	10	V DC or AC
	<b>maximum</b>	18	V DC or AC
<b>Input resistance</b>		350±3	ohm
<b>Output resistance</b>		350±3	ohm
<b>Rated output (R.O.)</b>		2.040	mV/V
<b>Tolerance of R.O.</b>		±0.25	% of R.O.
<b>Zero balance</b>		±5	% of R.O.
<b>Tolerance of shunt calibration values</b>		0.25	% of value**
<b>Creep at R.L. after 30 minutes</b>		±0.03	% of R.L.
<b>Temperature range</b>		-40 to +80 (+100)***	°C
<b>Temperature effect (-10°C to +50°C)</b>	<b>on output</b>	±0.003	% of output/°C
	<b>on zero balance</b>	±0.003	% of R.O./°C
<b>Insulation resistance at 200V DC</b>		>4	Gohm
<b>Material: Load Cell</b>		Stainless steel	
<b>Material: Bracket and Yoke</b>		Yellow chromate steel****	
<b>Electrical connection</b>		5m shielded four conductor cable	
<b>Degree of protection</b>		IP 67	
* Referring to recommended loading case		ATEX certified versions for use in explosive atmospheres are available: II 1GD	
** See calibration sheet of the load cell			
*** -40 to +100°C on demand			
**** Stainless steel on demand			