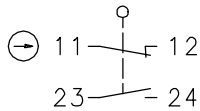


### Series GC

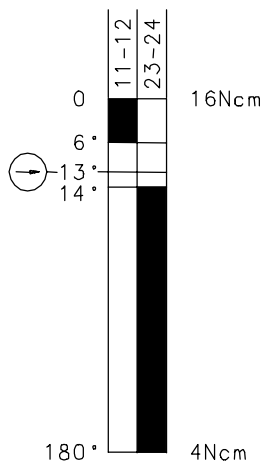
Description **GC-U1Z VKW**

Article number **6121100882**

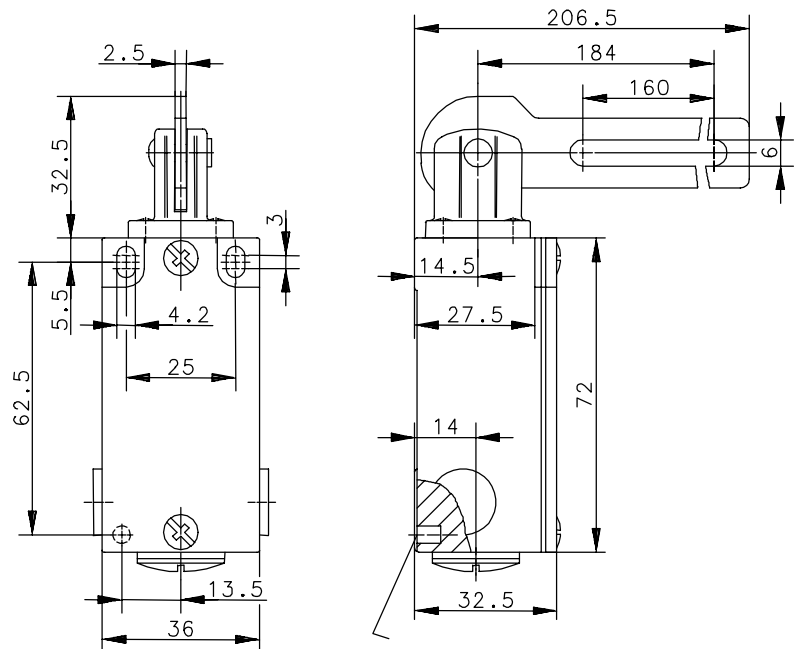
#### Operating symbol



#### Operating diagram



Tolerances  
 Operating point:  $\pm 3.5^\circ$ ;  
 Operating torque:  $\pm 10\%$



Blind hole for fitting pin  
 $\varnothing 4$ ; 5.5 deep

#### Electrical data

Rated insulation voltage	$U_i$	400 VAC
Conv. thermal current	$I_{the}$	10A
Utilization category		AC-15, $U_e/I_e$ 240V/3A
Positive opening NC contact	$\ominus$	IEC/EN 60947-5-1
Short-circuit protective device		Fuse 10A gL/gG
Protection class		IEC/EN 60947-5-1, Annex K I

This document will not become the contractual basis; the details included herein do not constitute any descriptions of expected conditions, so that warranties/claims for defects on account of possible variations of the actual qualities from the qualities described herein are explicitly excluded. All rights reserved. Specifications subject to change without notice!

Date of issue: 17.09.2004 / Page 1 of 2  
 Document: 6121100882\_en / Last update: 2 / 2520-04

Mechanical data	
Enclosure	Die-cast aluminium
Cover	Sheet aluminium
Actuator	Lever (steel sheet)
Ambient air temperature	-30°C ... +80°C
Contact type	1 NC, 1 NO (Zb)
Mechanical life	1 x 10 <sup>6</sup> operating cycles
Switching frequency	≤ 20 / min.
Assembly	2 x M5
Connection	4 screw terminals (M3.5)
Conductor cross-sections	Solid: 0.5 ... 1.5mm <sup>2</sup> Litz wire with ferrules: 0.5 ... 1.5mm <sup>2</sup>
Cable entrance	1 x M20x1.5 and 2 x M12x1.5
Weight	≈ 0.21 kg
Installation position	Operator definable
Protection type	IP65 acc. to IEC/EN 60529

<b>Standards</b>	VDE 0660 T100, DIN EN 60947-1, IEC 60947-1 VDE 0660 T200, DIN EN 60947-5-1, IEC 60947-5-1
------------------	--

<b>EU Conformity</b>	<b>CE</b>
----------------------	-----------

Approvals	
	BG
	CSA A300 (same polarity)
	UL A300 (same polarity)

### Notes

The degree of protection (IP code) specified applies solely to a properly closed cover and the use of an at least equivalent cable gland.

#### Mounting:

When used as safety switch pay attention to EN 60204 (use NC-contacts).

Also secure by a set pin (hole within the bottom of the case).