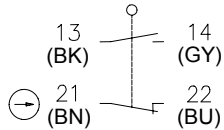
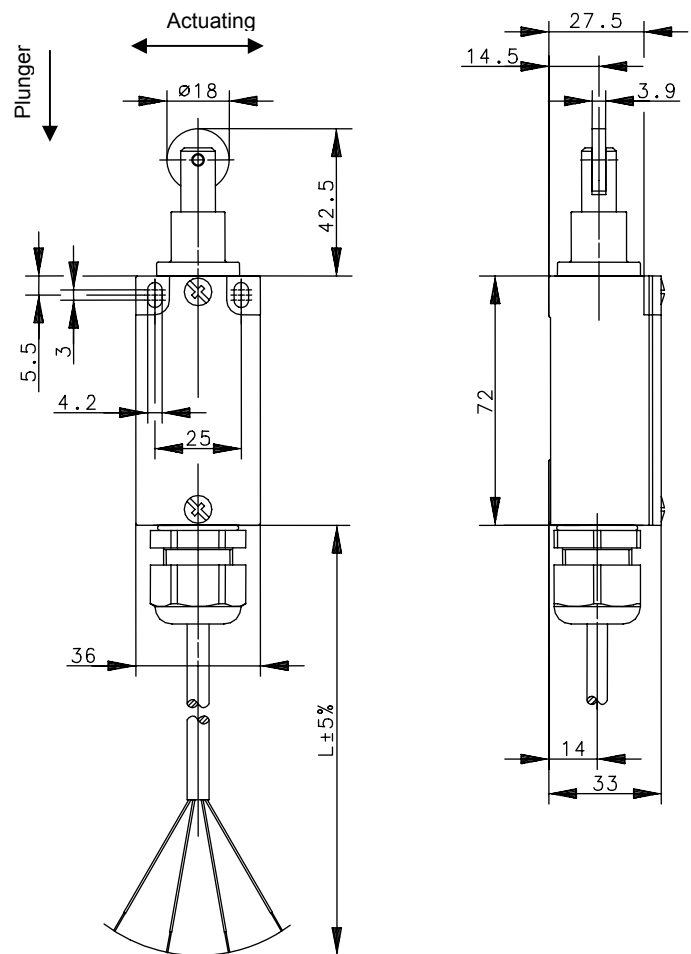
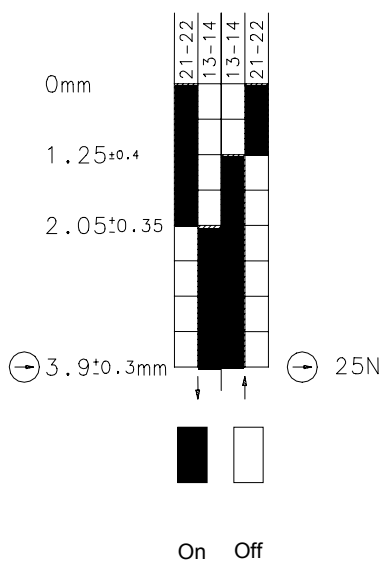


GC-SU1Z EX RIW

Operating symbol



Operating diagram



Operating tolerance $\pm 5^\circ$

Cable length L	Weight	Description	Article number
2m	0,31kg	GC-SU1Z EX RIW -2M-	6092167012
5m	0,50kg	GC-SU1Z EX RIW -5M-	6092167014
9m	0,75kg	GC-SU1Z EX RIW -9M-	6092167015

Electrical data

Rated insulation voltage	U_i	250 VAC
Conv. thermal current	I_{the}	5A
Rated operational voltage	U_e	230V
Utilization category		AC 15, 240V/3A; DC 13, 250V/0,27A
Direct opening action	\ominus	acc. to IEC/EN 60947-5-1, Annex K
Short-circuit protective device		Fuse 4A gL (with safety function) Fuse 6A gL
Safety class		II, fully insulated

This document will not become the contractual basis; the details included herein do not constitute any descriptions of expected conditions, so that warranties/claims for defects on account of possible variations of the actual qualities from the qualities described herein are explicitly excluded. All rights reserved. Specifications subject to change without notice!

Date of issue: 05.12.2008 / Page 1 of 2
Document: 7100047_en / Last update: 3 / 2797-08

Mechanical data	
Enclosure	Die-cast aluminium
Cover	Sheet aluminium
Actuator	Roller (stainless steel)
Ambient air temperature	-20°C ... +65°C
Maximum surface temperature	80°C/T6
Contact type	1 NC, 1 NO (Zb)
Mechanical life	2 x 10 ⁶ switching cycles
Mechanical switching frequency	≤50 / min.
Switching frequency under max. load	≤20 / min. (AC), ≤15 / min. (DC)
Permissible actuating speed	≥10mm/min; ≤1m/s
Assembly	2 screws M4
Connection	Control cable (with wire end ferrules)
Conductor cross-sections	4x 0,75mm ²
Cable entrance	1 x cable gland (M20x1.5)
Installation position	Any, installed in a protected position on the underside of the enclosure
Protection type of the installed switch block	IP66/IP67 acc. to IEC/EN 60529

Actuation
 The actuating device is preferably started from 2 side.

Standards
VDE 0660 T100, DIN EN 60947-1, IEC 60947-1
VDE 0660 T200, DIN EN 60947-5-1, IEC 60947-5-1
DIN EN 50014, EN 50014
DIN EN 50018, EN 50018
Directive 94/9/EC

Explosion Protection  II 2 G EEx d IIC T6

EC-Type Examination Certificate	
Metal Switch complete	TÜV 03 ATEX 2043X
Installed switch block	TÜV 03 ATEX 2021X

BG-Type Examination Certificate	
Low voltage directive 73/23/EEC	
Safety of machinery directive 98/37/EC	
GS-ET-15	
DIN EN 60947-5-1	

EU Conformity	
 0044	
Directive 94/9/EC	

Notes

- The switching unit must be securely installed.
- The cable must be securely laid and protected against mechanical damage.
- The metal enclosure of the switch must be earthed if the enclosure can be expected to develop a hazardous charge during operation.
- The switch may not be used as a mechanical stop.

Other cable lengths on request.

This document will not become the contractual basis; the details included herein do not constitute any descriptions of expected conditions, so that warranties/claims for defects on account of possible variations of the actual qualities from the qualities described herein are explicitly excluded. All rights reserved. Specifications subject to change without notice!

Date of issue: 05.12.2008 / Page 2 of 2
 Document: 7100047_en / Last update: 3 / 2797-08