

Technical Data

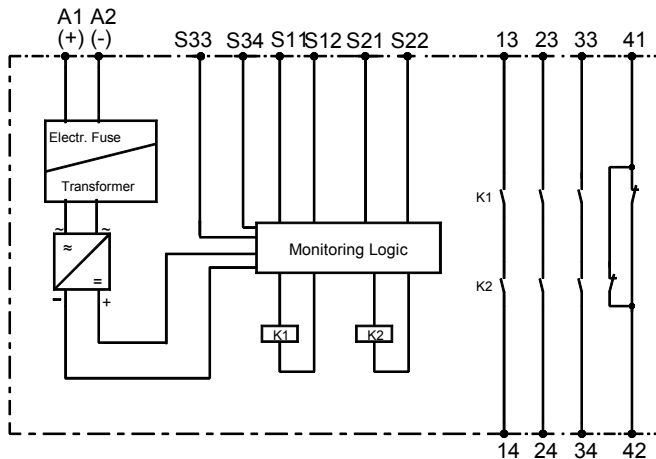
Safety Relay Combination

Series SCR

Description **SCR 4-W22-3.5-SD**

Article number **6075111010**

Assembly and function
(function circuit diagram)



13-14, 23-24, 33-34
safety circuits (normally open)

41-42
auxiliary circuits (normally close)

S33-S34
START button

S11-S12, S21-S22
EMERGENCY-STOP channel 1 and 2



Electrical data

Supply voltage	U_e	24V AC/DC
Voltage range		0,90 ... 1,1 U_e
Frequency		50 ... 60 Hz
Power consumption appr.		24V DC: 3 W, 24V AC: 5 VA

Conductor data

conductor connection	2 x 1,5 mm ² solid wire 2 x 1,5 mm ² strand with wire end ferrule DIN VDE 46228
Max. conductor length (input circuit)	2 x 100m (single channel), 4 x 100m (dual channel)
Conductor cross-section	2 x 1,5 mm ² / 4 x 1,5mm ²
Capacity	150 nF/km

This document will not become the contractual basis; the details included herein do not constitute any descriptions of expected conditions, so that warranties/claims for defects on account of possible variations of the actual qualities from the qualities described herein are explicitly excluded. All rights reserved. Specifications subject to change without notice!

Date of issue: 31.05.2005 / Page 1 of 2
Document: 6075111010_en / Status: 1 / 2360-05

Technical Data

Safety Relay Combination

Contact data

Contact configuration	3 N.O. contacts / 1 N.C. contact
Contact type	Relay forcibly guided contacts
Contact material	AgSnO ₂ or comparable material
Switching voltage	230V AC, 24V DC
Switching current	5 A
Utilization category (DIN EN 60947-5-1)	AC 15 230 V / 5 A; DC 13 24 V / 5 A
Max. switching capacity	1250 VA (ohms load)
Mechanical life	10 ⁷ operations
Electrical life	10 ⁵ operations (DC 24V/2A)
Creepage and clearance distances (DIN VDE 0160)	at pollution grade 2 Voltage category 3 / 250 V
Contact protection	NO contact: 6,3A brisk; NC contact: 4A Neozed gL/gG
Ready after time delay	< 1s
Delay on deenergisation K1	< 30 ms, 24V AC: < 50ms

Mechanical data

Enclosure material	Polyamide PA 6.6
Dimensions (W x H x D)	22,5 x 114,5 x 99
Mounting	Click-fastening for DIN-Rail

Environmental data

Operating temperature range	-25°C ... +55°C
Air humidity	Swap climate, 95%, 0 ... +50°C
Degree of protection, terminals	IP 20 DIN VDE 0470 part 1
Degree of protection, enclosure	IP 40 DIN VDE 0470 part 1
Shock resistance N.O./N.C. contacts	8g / 2g

CE - Conformity

CE

Approvals

TÜV
UL
C-UL

Notes

With monitoring of the START-button.