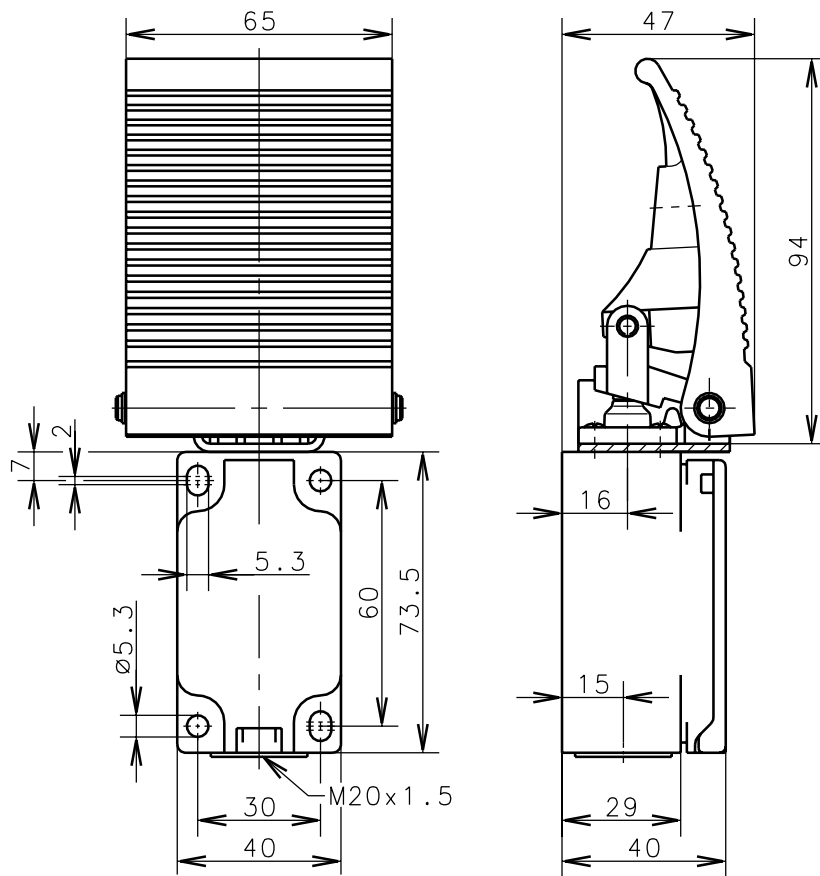

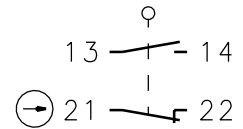


**Bernstein**Bernstein AG
Postfach 1164
D-32437 Porta Westfalica**Technical data sheet**

F40-SU1Z

606.8300.557



 Positive opening operation according to DIN EN 60947-5-1 IEC 60947-5-1


Switching symbol

Mechanical features

Enclosure: Thermoplast, glass fibre reinforced
 Cover: Thermoplast, glass fibre reinforced
 Actuator: Foot lever

Ambient air temperature: -30°C up to +80°C
 Contact type: 1 NC-contact, 1 NO-contact (Zb)

Mechanical life: 10×10^6 switch operations
 Switch frequency: max. 100/min
 Mounting: 4 x M5
 Connection type: 4 screw connections (M3.5)
 Conductor cross-section: single core 0.5-1.5mm²/litz wire with connector sleeve 0.5-1.5mm²
 Cable entry size: 1 x M20x1.5
 Weight: approx. 0,28 kg

Electrical features

Rated insulation voltage: $U_i = 500$ V AC
 Conventional thermal current: $I_{the} = 10$ A
 Max. inrush current: according to IEC 60947-5-1, AC 15, A300
 Utilization categorie: AC15, A300, U_e/I_e 240V/3A
 Standards: according to EN 60947-1; EN 60947-5-1
 Protection class (IP-Code): IP65 according to EN 60529; DIN VDE 0470 T1
 Short-circuit protection: Fuse 2A gL/gG, IEC/EN 60947-5-1, appendix K

Remarks

The moving parts should be oiled periodically.
 The rated protection class (IP-Code) is valid only at closed cover and when using an at least equivalent cable gland.
 Foot switch adjustable only at machines and apparatuses.