

Technical Data

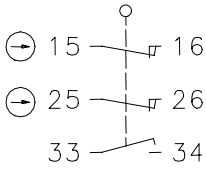
Safety switch

Series SKI – with separate actuator

Description **SKI-UV15Z M3**

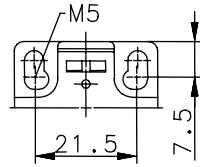
Article number **6016869058**

Operating symbol

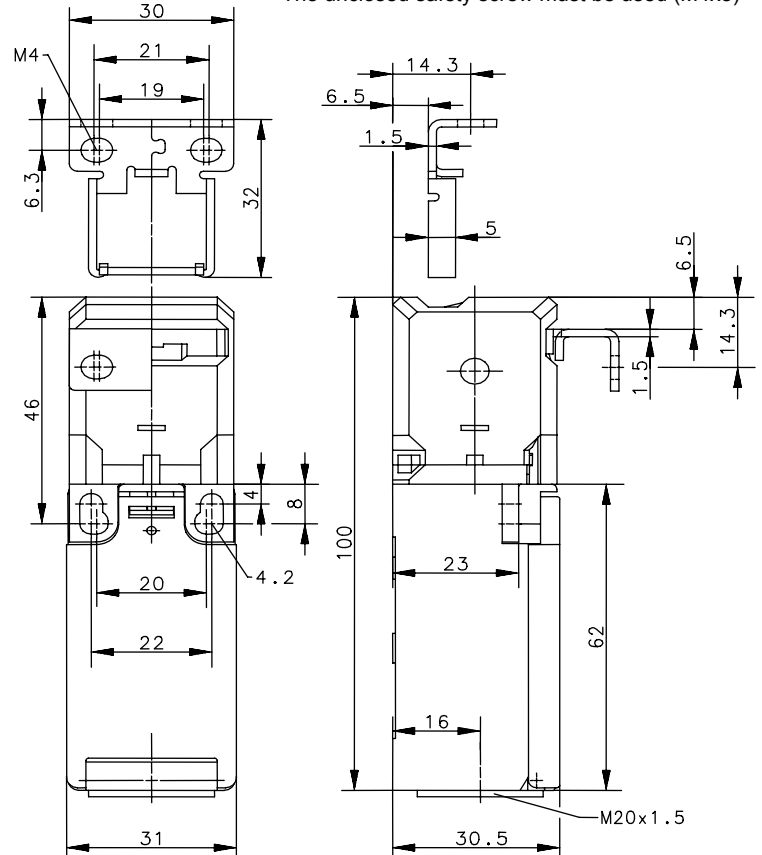


Fixed positioning for safety applications.

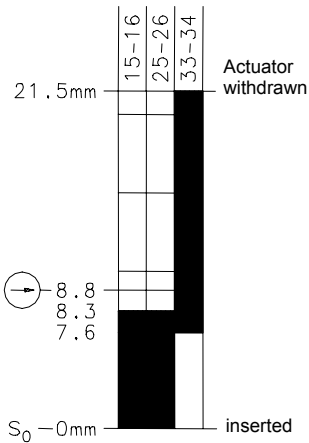
Mounting screw according to DIN 912 M5



To prevent manipulation of the actuator, The unclosed safety screw must be used (M4x8)



Operating diagram



Tolerances
 Operating point: $\pm 0,25\text{mm}$;
 Operating force: $\pm 10\%$

Electrical data

Rated insulation voltage	U_i	250 V AC
Conv. thermal current	I_{the}	5 A
Utilization category		AC-15, U_e/I_e 240 V / 1,5 A
Direct opening action	\ominus	according to IEC/EN 60947-5-1, Annex K
Short-circuit protective device		Fuse 6 A gL/gG
Protection class		II, totally insulated

This document will not become the contractual basis; the details included herein do not constitute any descriptions of expected conditions, so that warranties/claims for defects on account of possible variations of the actual qualities from the qualities described herein are explicitly excluded. All rights reserved. Specifications subject to change without notice!

Date of issue: 05.01.2011 / Page 1 of 2
 Document : 6016869058_en / Last update: 2 / 2818-10

Technical Data

Safety switch

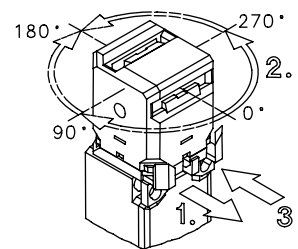
Mechanical data

Enclosure	Thermoplastic, glass fibre reinforced (UL94-V0)
Cover	Thermoplastic, glass fibre reinforced (UL94-V0)
Actuator	Separate actuator (metal)
Extraction force	10 N
Ambient air temperature	-30° C ... +80° C
Contact type	2 NC, 1 NO (Zb)
Mechanical life	1 x 10 ⁶ switch operations
Switching frequency	≤ 30 / min.
Assembly Safety switch	2 x M4
Actuator	2 x M4
Connection	6 screw connections (M3)
Conductor cross-sections	Solid: 0,5 ... 1,5 mm ² Litz wire with ferrules: 0,5 ... 1,5 mm ²
Cable entrance	1 x M20 x 1,5
Weight	≈ 0,11 kg
Installation position	operator definable
Protection type	IP65 acc. to IEC/EN 60529

Actuation

To achieve the 8 different actuator points please follow the next instructions

- (1) pull fixing clamp
- (2) turn actuator
- (3) push fixing clamp



Standards

VDE 0660 T100, DIN EN 60947-1, IEC 60947-1
VDE 0660 T200, DIN EN 60947-5-1, IEC 60947-5-1

EU Conformity



Approvals

TÜV Rheinland, Type Approved
cCSA_{US} B300 (same polarity)

Notes

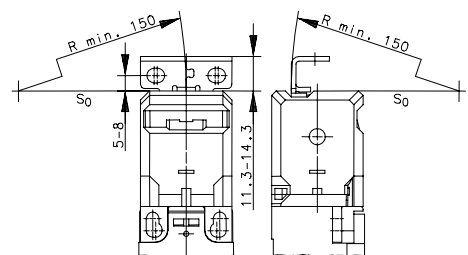
The degree of protection (IP code) specified applies solely to a properly closed cover and the use of an equivalent cable gland with adequate cable.

The switch may not be used as a mechanical stop.

Radial actuation may reduce the mechanical life.

The min. radius refers to a pivot at the top of the cap (S₀).

Tapped holes not in use must be closed with blind plugs.



This document will not become the contractual basis; the details included herein do not constitute any descriptions of expected conditions, so that warranties/claims for defects on account of possible variations of the actual qualities from the qualities described herein are explicitly excluded. All rights reserved. Specifications subject to change without notice!

Date of issue: 05.01.2011 / Page 2 of 2
Document : 6016869058_en / Last update: 2 / 2818-10