

Technical Data

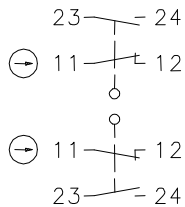
Rope pull switch

Series SI1

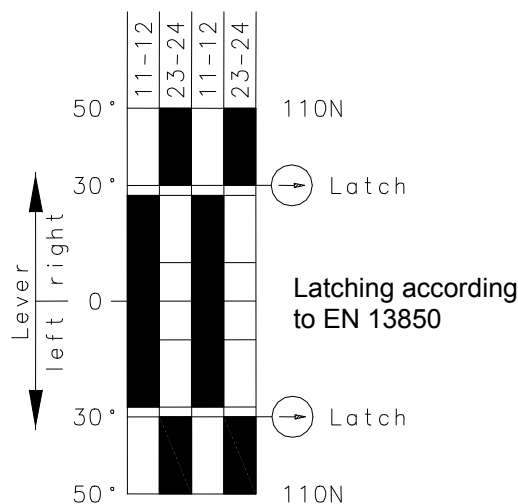
Description **Si1-U2Z AK R-RAST**


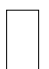
Article number **6014735001**

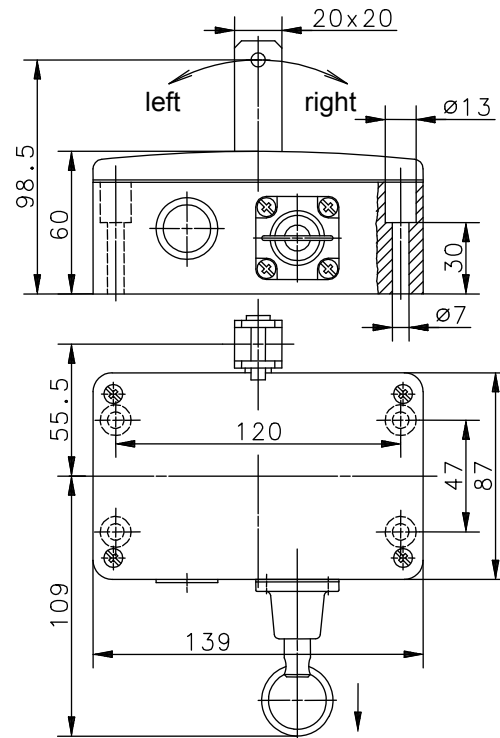
Operating symbol



Operating diagram



  Tolerance:
 operating point $\pm 5^\circ$
 operation force $\pm 15\%$



Electrical data

Rated insulation voltage	U_i	250 V AC
Conv. thermal current	I_{the}	10 A
Rated operational voltage	U_e	240 V
Utilization category		AC-15, U_e / I_e 240 V / 3 A
Direct opening action	\ominus	according to IEC/EN 60947-5-1, Annex K
Short-circuit protective device		Fuse 6 A gG
Protection class		I

This document will not become the contractual basis; the details included herein do not constitute any descriptions of expected conditions, so that warranties/claims for defects on account of possible variations of the actual qualities from the qualities described herein are explicitly excluded. All rights reserved. Specifications subject to change without notice!

Date of issue: 24.01.2013 / Page 1 of 2
 Document: 6014735001_en / Last update: 3 / 2070-13

Technical Data

Rope pull switch



Mechanical data	
Enclosure	Al-sand cast
Cover	Al-sand cast
Actuator	lever (St)
Ambient air temperature	-30 °C ... +80 °C
Contact type	2 NC, 2 NO (Zb)
Reset facility	pulling the key-ring (< 50N)
Mechanical life	1 x 10 ⁶ operating cycles
Switching frequency	≤ 10 / min.
Assembly	4 x M6
Connection	8 screw terminals (M3,5)
Conductor cross-sections	Solid: 0.5 ... 1.5mm ² Litz wire with ferrules: 0.5 ... 1.5mm ²
Cable entrance	1 x M20 x 1.5
Weight	≈ 1,62 kg
Installation position	Operator definable
Protection type	IP65 acc. to IEC/EN 60529
ID for safety engineering	
B10d	2 x 10 ⁶ switching cycles
Standards	
	VDE 0660 T100, DIN EN 60947-1, IEC 60947-1 VDE 0660 T200, DIN EN 60947-5-1, IEC 60947-5-1
EU Conformity	
	acc. to Directive 2006 / 95 / EC
Approvals	
	cCSA _{US} A300 (same polarity)

Notes

The degree of protection (IP code) specified applies solely to a property closed cover and the use of an equivalent cable gland with adequate cable.

This document will not become the contractual basis; the details included herein do not constitute any descriptions of expected conditions, so that warranties/claims for defects on account of possible variations of the actual qualities from the qualities described herein are explicitly excluded. All rights reserved. Specifications subject to change without notice!

Date of issue: 24.01.2013 / Page 2 of 2
Document: 6014735001_en / Last update: 3 / 2070-13