

## DH-CA-FW191D

### 800TVL HDIS Day/Night Waterproof IR Camera



#### Features

- > 1/3" 1.3Mega HDIS
- > High resolution of 800TVL(Color)
- > Day/Night(ICR), ATW, AGC, BLC
- > 6mm fixed lens (2.8 mm, 3.6mm, 8mm optional)
- > Max. IR LEDs length 30m, Smart IR
- > IP66, DC12V

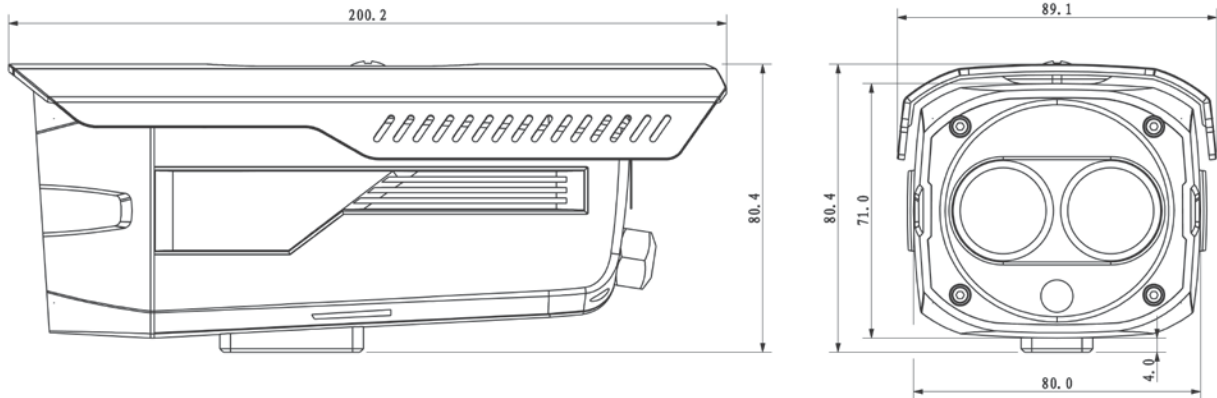
# DH-CA-FW191D

## Technical Specifications

Model	DH-CA-FW191DP	DH-CA-FW191DN
<b>Camera</b>		
Image Sensor	1/3" 1.3Mega HDIS	
Effective Pixels	1280(H)×960(V)	
Horizontal Resolution	800TVL	
Electronic Shutter	4/25s~1/45,000s	4/30~1/54,000s
Synchronization	Internal	
Min. Illumination	0.01Lux@F1.2(0Lux IR LED on)	
S/N Ratio	>65dB(AGC Off)	
Video Output	1Vp-p Composite Output (75Ω/BNC)	
<b>Camera Features</b>		
Max. IR LEDs Length	30m, Smart IR	
Day/Night	Auto(ICR) / Color / B/W	
Backlight Compensation	BLC	
White Balance	Auto	
Gain Control	Auto	
Noise Reduction	3D	
<b>Lens</b>		
Focal length	6mm (2.8 mm, 3.6mm, 8mm optional)	
Mount Type	M12	
<b>General</b>		
Power Supply	DC12V±10%	
Power Consumption	Max 5.5W	
Working Environment	-40°C~+60°C / 20%~80%RH	
Ingress Protection	IP66	
Dimensions(W×D×H)	200.2mm×89.1mm×80.4mm	
Weight	450g	

# DH-CA-FW191D

## Dimensions (mm)



---

### Dahua Technology Co., Ltd.

1187 BinAn Road, Binjiang District, Hangzhou, China

Tel: +86-571-87688883

Fax: +86-571-87688815

Email: [overseas@dahuatech.com](mailto:overseas@dahuatech.com)

[www.dahuasecurity.com](http://www.dahuasecurity.com)

\*Design and specifications are subject to change without notice.

© 2013 Dahua Technology Co., Ltd.