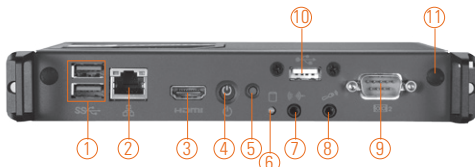


# OPS885

4th Gen Intel® Core™ i5 Intelligent Pluggable System Specification (IPSS) Digital Signage Player with Intel® QM87 Chipset, AMT 9.0 and TPM 1.2

NEW



- |                 |                     |                             |
|-----------------|---------------------|-----------------------------|
| 1. USB 3.0 x 2  | 5. Reset            | 9. RS-232                   |
| 2. Ethernet     | 6. HDD indicator    | 10. USB 2.0                 |
| 3. HDMI         | 7. Audio (Line-out) | 11. WiFi antenna (optional) |
| 4. Power switch | 8. Audio (Mic.-in)  | 12. JAE TX-25               |



## Specifications

|  |  |   |
|--|--|---|
| Main System  | CPU  | 4th Gen Intel® Core™ (Haswell) i5-4400E processor onboard |
|  | Chipset  | Intel® QM87 PCH   |
|  | System Memory  | 1 x 204 pin DDR3L SO-DIMM 1600 max. up to 8 GB            |
|  | Storage  | 1 x mSATA   |
|  | BIOS   | AMI UEFI BIOS with OA 3.0 built                           |
|  | Watchdog Timer   | 255 levels, 1 ~ 255 sec.                                  |
| I/O  | 2 x USB 3.0  |   |
|  | 1 x USB 2.0  |   |
|  | 1 x 10/100/1000Mbps Ethernet                           |   |
|  | 1 x HDMI   |   |
|  | 1 x RS-232 (COM 2)                                     |   |
|  | 1 x power on/off button                                |   |
|  | 1 x reset button                                       |   |
|  | 1 x Audio (Line-out)                                   |   |
|  | 1 x Audio (Mic-in)                                     |   |
|  | 1 x DisplayPort (via OPS JAE interconnector) (Pure DP) |   |
|  | 2 x USB 2.0 (via OPS JAE interconnector)               |   |
|  | 1 x USB 3.0 (via OPS JAE interconnector)               |   |
|  | 1 x HDMI/DVI (via OPS JAE interconnector)              |   |
|  | 1 x Audio (Line-out, via OPS JAE interconnector)       |   |
| 1 x UART (TX/RX, via OPS JAE interconnector) (COM 1) |  |   |
| Indicator  | 1 x LED for system power ON                            |   |
| WiFi   | Optional 802.11 b/g/n                                  |   |
| Expansion Slot                                       | 2 x full-size PCI Express Mini Card<br>1 x SIM slot    |   |
| Dimensions   | 200 mm (7.87") (W) x 119 mm (4.68") x 30 mm (1.18")    |   |
| Packing Dimensions                                   | 270 mm (10.63") (W) x 197 mm (7.76") x 70 mm (2.76")   |   |
| Weight (net/gross)                                   | 1 kg (2.21lb)/1.5kg (3.3 lb)                           |   |
| Environmental  | 0° ~ +45°C (+32°F ~ +113°F) (with airflow 1.2m/s)      |   |

## Packing

|                    |
|--------------------|
| 1 x driver CD      |
| 1 x thermal grease |
| 2 x M2 x 3 screw   |
| 2 x M3 x 4 screw   |
| 2 x M4 x 10 screw  |
| 2 x thermal Pad    |

595

## Features

- Open Pluggable Specification (OPS) compliance
- Supports 4th Gen Intel® Core™ (Haswell) i5-4400E processor onboard
- Intel® QM87 chipset
- Supports DDR3L SO-DIMM 1600 max. up to 8 GB
- Supports 2 USB 3.0 ports
- 2 PCI Express Mini Card slots
- Remote management: Intel® AMT (Active Management Technology) 9.0
- Easy maintenance
- HDMI for 2nd display
- Supports 4K resolution
- Supports TPM 1.2
- Supports Intel® RCM (Retail Client Manager)



## Optional OS Installation

Windows® 7, Windows® 8, WES7, WE8S

## Ordering Information

### Standard

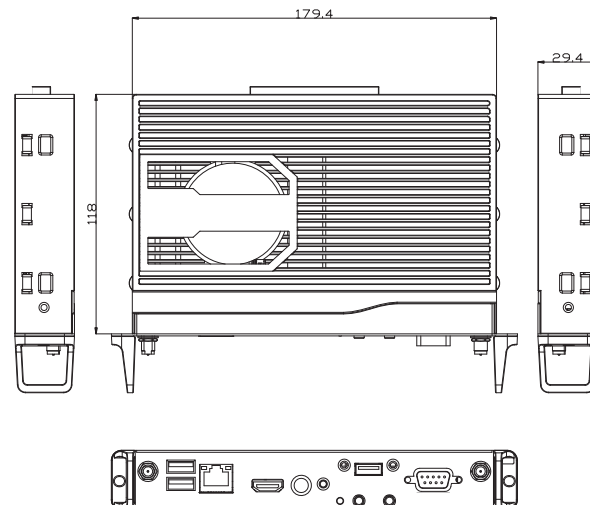
|                             |  |
|-----------------------------|--|
| OPS885<br>(P/N: E22M885100) | OPS digital signage player with 4th Gen Intel® Core™ i5-4400E (3M Cache, up to 3.30 GHz) processor onboard |
|-----------------------------|--|

### Optional

|         |   |
|---------|---|
| OPF320  | 31.5" full HD digital signage display               |
| OPF321  | 31.5" LED backlight full HD digital signage display |
| AX93157 | OPS docking board                                   |
| AX93167 | OPS docking board with 4K resolution support        |

\* Specifications and photos are based on options and may vary.

## Dimensions



\* All specifications and photos are subject to change without notice.