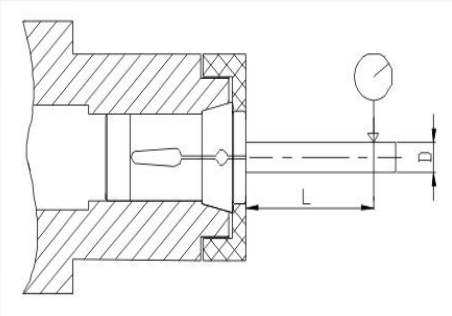




>> Running concentricity <<

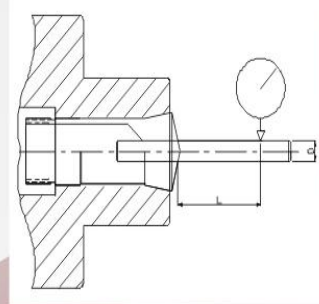
Push Type Collets

This is similar to DIN 6343



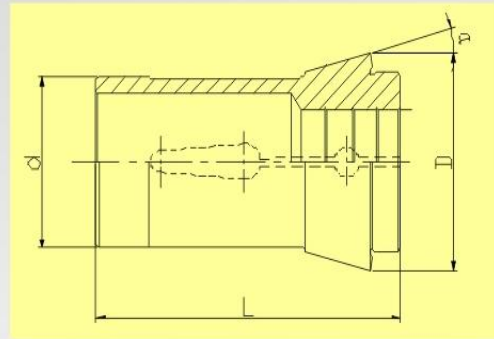
Draw-back Collets

This is similar to DIN 6341



clamping diameter		testing point	running concentricity	
D		L	standard	high
over	up to		m/m	precision
0.5	1	3	0.02	0.01
1	1.6	6	0.02	0.01
1.6	3	10	0.02	0.01
3	6	16	0.02	0.01
6	10	25	0.02	0.01
10	18	40	0.03	0.015
18	24	50	0.04	0.02
24	30	60	0.04	0.02
30	--	60	0.05	0.025

clamping diameter		testing point	running concentricity	
D		L	standard	high
over	up to		m/m	precision
1	1.6	6	0.02	0.01
1.6	3	10	0.02	0.01
3	6	16	0.02	0.01
6	10	25	0.02	0.01
10	18	40	0.03	0.015
18	24	50	0.04	0.02
24	30	60	0.04	0.02
30	--	60	0.05	0.025



>> Headstock Collets <<

Art-No	Type	Item No	d	L	D	Schau No	DIN No
140E	TRAUB A-15	1215	ø 22.0	55	ø 30.0	F22/71	DIN 6343-22
148E	TRAUB A-20	1220	ø 28.0	70	ø 38.0	F28/93	
161E	TRAUB A-25	1225	ø 32.0	75	ø 45.0	F32/221	DIN 6343-32
162E	INDEX 25#	1226	ø 35.0	70	ø 43.0	F35/67	
163E	INDEX 30#	1230	ø 35.0	80	ø 48.0	F35/94	DIN 6343-35
164E	LI CO 32#	1232	ø 38.1	108	ø 49.0	F38/72	
171E	INDEX 36#	1236	ø 42.0	94	ø 55.0	F42/99	DIN 6343-42
173E	INDEX 42#	1242	ø 48.0	94	ø 60.0	F48/81	DIN 6343-48
177E	INDEX 52#	1252	ø 58.0	94	ø 70.0		
185E	INDEX 60#	1261	ø 66.0	110	ø 84.0	F66/359	DIN 6343-60
193E	INDEX 80#	1280	ø 90.0	130	ø 107.0		
LI CO	65#	1265	ø 72.0	142	ø 89.0		
POLYGYM	38#	1238	ø 42.0	92	ø 51.0		
C-32	32#	1332	ø 40.0	104	ø 54.5		
C-44	42#	1342	ø 54.0	87	ø 68.0		
C-50	JCL-50	1350	ø 60.0	89	ø 72.0		
C-60	JCL-60	1360	ø 75.0	100	ø 93.0		
MIYNO	BNC34	1734	ø 44.4	108	ø 55.0		
MIYNO	25	1725	ø 40.0	95	ø 45.0		
RIKEN	SAD40	1742	ø 48.0	84	ø 66.0		



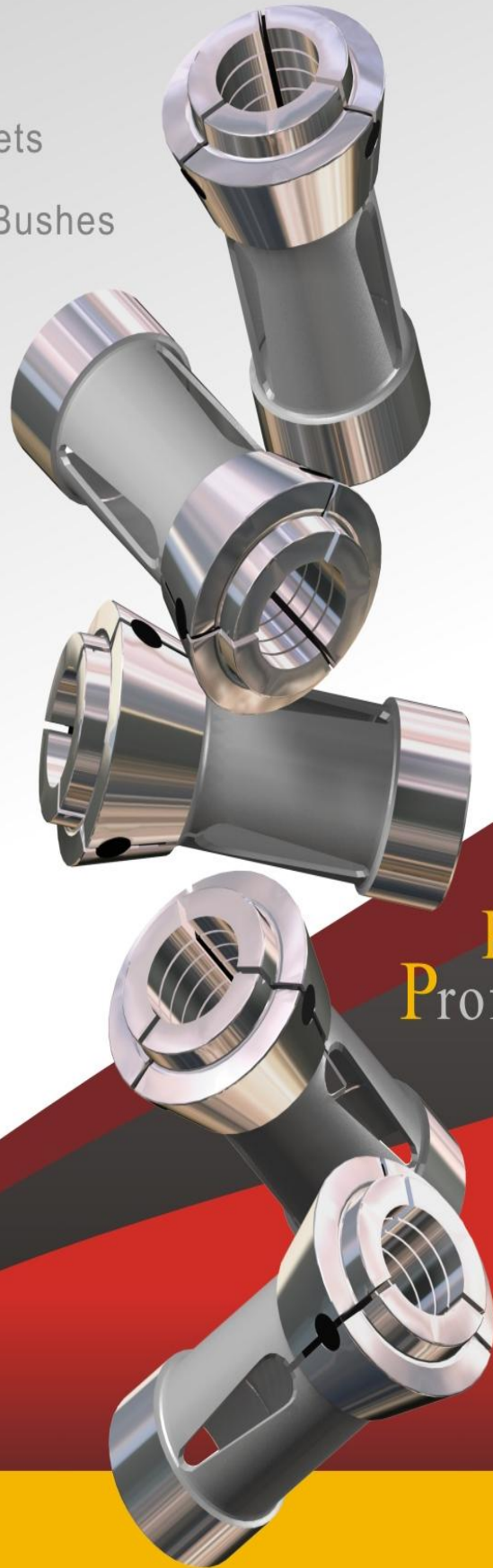
®

Spring Collets

Headstock Collets

Carbide Guide Bushes

Special Collets



Honesty
Professionalism
Quality

