

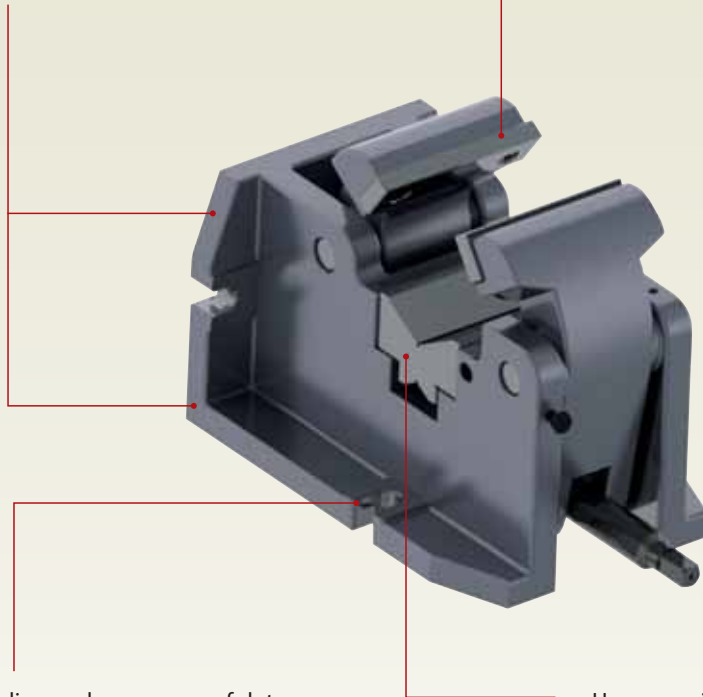


# Shaft Vise

## HWY-SV Series

Mechanical Vise for clamping of shaft.  
Suitable for horizontal and vertical applications.

Alloy Steel Jaw which is flame hardened and precision ground ensures the accuracy.



The parallelism and squareness of slots beneath vise base are very precise. Vise can be quickly positioned and fixed on the machining tables.

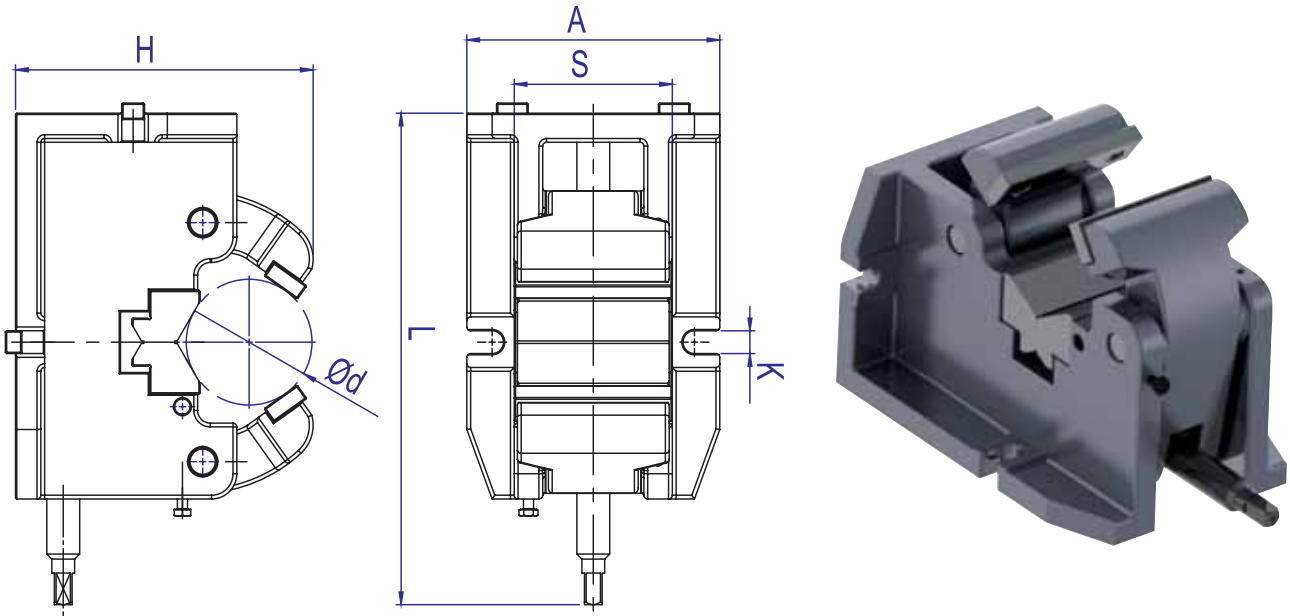
Hypercapnia Alloy Steel Jaw which is flame hardened to HRC52~56 and precision ground to ensure the accuracy.  
Two-way jaw design is able to clamp circular workpiece within Ø10~160mm.

### Accuracy Inspection

	Inspection Items	Tolerance
1		Parallelism : V block to Vise bed  ±0.05/100mm
2		Squareness : between A and B  ±0.05/100mm



### HWY-SV100 / 125 / 150



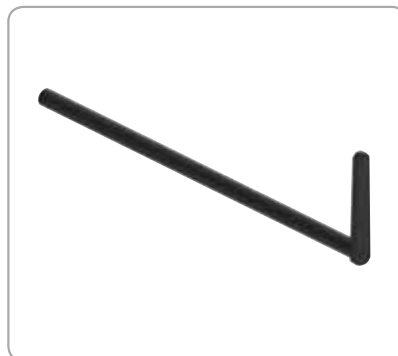
Model NO.	S	A	H	L	d	K	Max. Clamp. Force (kg)	N.W. (kg)
HWY-SV100	100	180	170	305	10~63	18	1000	22
HWY-SV125	125	200	235	405	15~100	18	1500	40
HWY-SV150	160	245	295	460	50~160	18	2000	75

Unit : mm

### Standard Accessory



Handle



Stop Dog