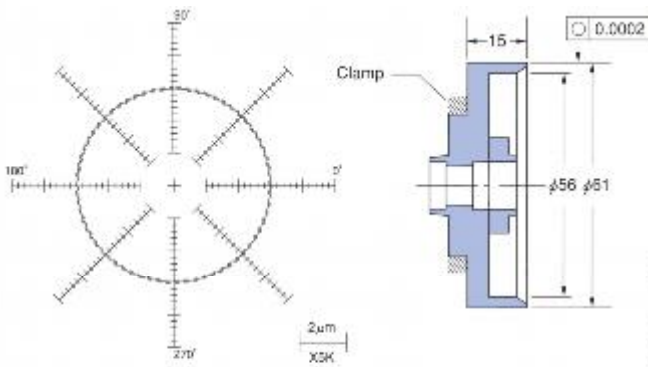




## AW2

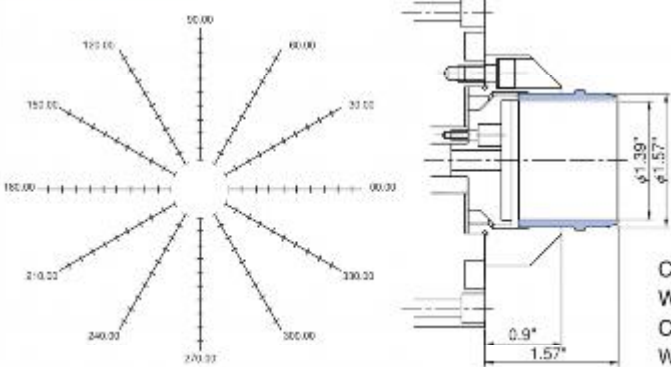


Chuck : 1PNR4-8  
 Workpiece : VCR drum  
 Material : Aluminium  
 Spindle RPM : 8,000min<sup>-1</sup>  
 Clamp : O.D.Clamp



Out of roundness :  
 0.00034mm (0.000013")

## AW3

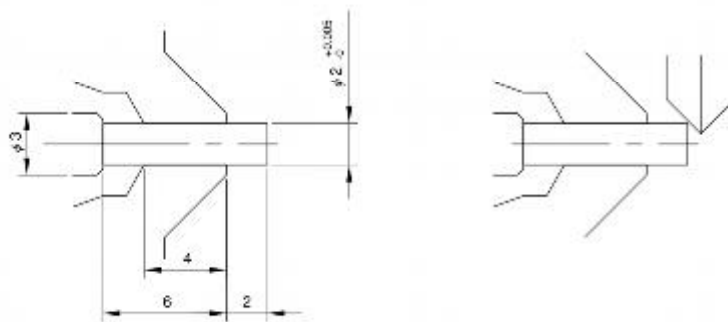


Chuck : 1PNR6-8  
 Workpiece : SCM435  
 Clamp : O.D.Clamp  
 Wall Thickness : 2.28mm(0.09")  
 Automobile Parts

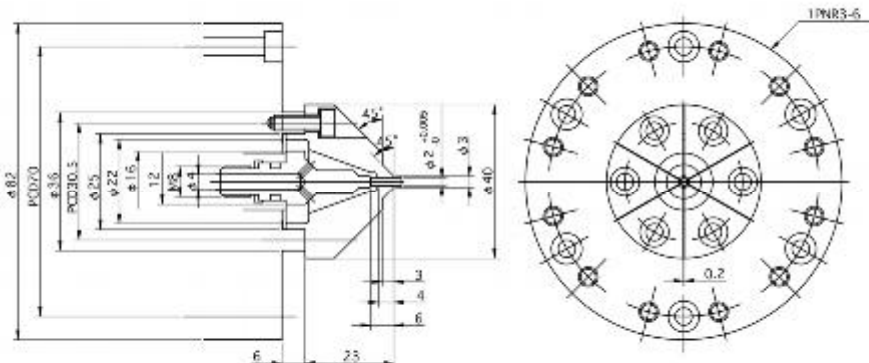


Out of roundness :  
 0.00040mm (0.000015")

## AW4



Lens for gastro scope / Grinding



1PNR 3-6

Repeatability (TIR) required for the chuck : Below 0.001mm (0.00004")



