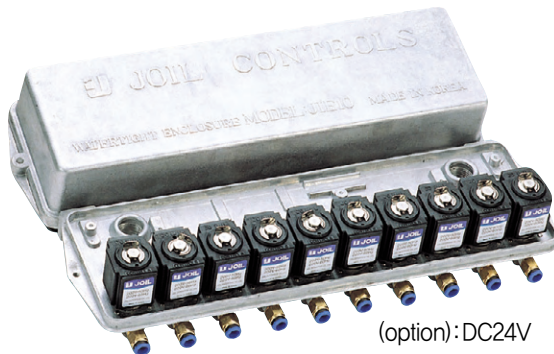
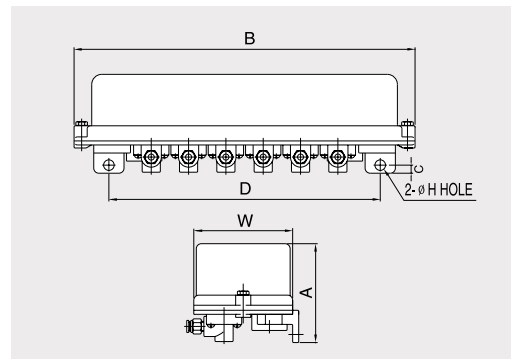


MULTI VALVE ENCLOSURES



(option): DC24V



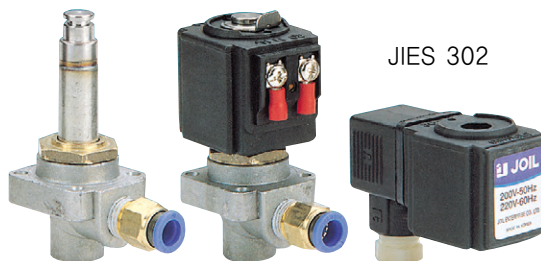
■ DIMENSIONS : JIE 810, 820, 1010, 1020

MODEL	A	B	C	D	H	W	WEIGHT(kg)	VALVE QTY IN USE
JIE - 8	98	338	8	269	10	98	2.8	1p ~ 8p
JIE - 10	98	410	8	350	10	125	4.5	9p ~ 12p

■ STANDARD VOLTAGES & RANGE OF ENCLOSURES IN OPTIONS

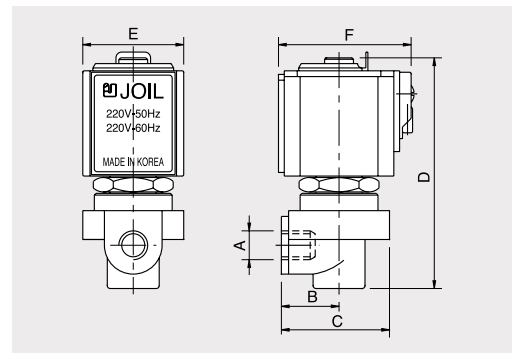
MODEL	VOLTAGE	VALVE QTY IN USE	PILOT ORIFICE	HOSE SIZE
JIE - 810	110V	1P ~ 8P	PT 1/4"	20, 25(A) 32, 40, 50, 65(A)
JIE - 820	220V	1P ~ 8P		
JIE - 1010	110V	9P ~ 12P		
JIE - 1020	220V	9P ~ 12P		ø8

PILOT SOLENOID VALVE



JIES 302

(option): DC24V



■ DIMENSIONS(mm)

MODEL	VOLTAGE	A(ORIFICE)	B	C	D	E	F	WEIGHT(kg)
JIES 301	110V	PT 1/4"	20	38	81	35	45	0.28
JIES 302	220V							

HEATER FOR ENCLOSURES (AC ONLY)



MODEL	VOLTAGE	SPECIFICATION
JIEH	110V 220V	12~10°C START /24°C OFF

The temperature should be adjusted automatically with more than 10°C and less than 24°C by installing heater & circuit to prevent error of solenoid caused by the enclosures box internal temperature variation in winter.