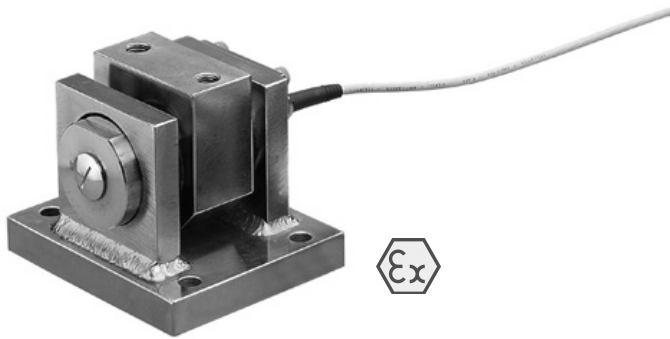


Weigh Module



FEATURES

- Suitable for load and level monitoring in storage tanks
- Rugged design
- ATEX approved
- Simple installation

DESCRIPTION

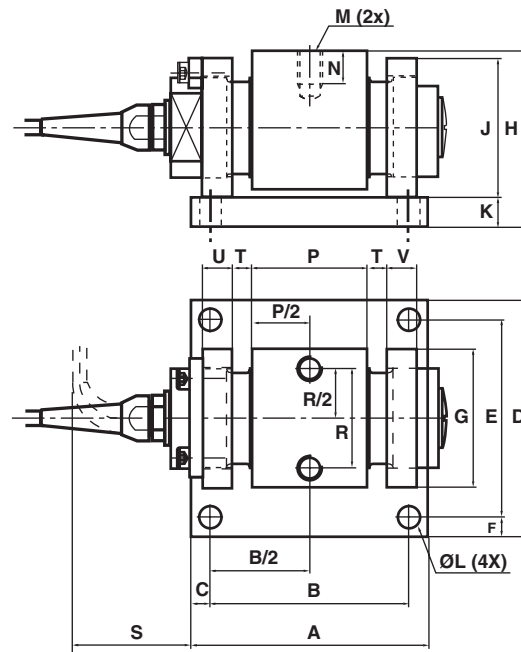
The KOM-1 weigh module has an accuracy, which makes it especially suitable for load and level monitoring in storage tanks.

The sensing element consists of three sections. The two outer sections constitute supports and rest on the built-in block, which is secured to the base. On the middle section, which is the loadsensing part, there is a yoke to which the leg of the tank is secured. The sensor is efficiently locked so that it cannot twist in the built-in block.

APPLICATIONS

- Process weighing
- Level monitoring

OUTLINE DIMENSIONS



RANGE kN	A	B	C	D	E	F	G	H±1	J	K ⁰ ₋₁	ØL
5-10-50	120	100	10	120	100	10	70	89	70	15	11
100	120	100	10	120	100	10	70	89	70	15	11
200	140	90	25	170	140	15	100	135	100	24	14

RANGE kN	M	N	P	R	S	T	U ⁰ ₋₁	V ⁰ ₋₁
10-20-50	M12	18	33	50	47	10	15	15
100	M12	18	48	50	60	10	20	20
200	M16	28	48	70	50	10	30	20

SPECIFICATIONS

Rated load (R.L.)		10, 20, 50, 100, 200	kN
Typical combined error (terminal)		0.25	% of R.O.
Repeatability		0.25	% of R.O.
Overload	safe*	100	% of R.L.
	ultimate*	200	% of R.L.
Input voltage	recommended	10	V DC or AC
	maximum	18	V DC or AC
Input resistance		350±5	ohm
Output resistance		350±5	ohm
Rated output (R.O.)		1	mV/V
Zero balance		±5	% of R.O.
Tolerance of shunt calibration values		±1	% of value**
Temperature range		-40 to +80 (+100)***	°C
Temperature effect	on output	±0.04	% of output/°C
	on zero balance	±0.04	% of R.O./°C
Insulation resistance at 200V DC		>4	Gohm
Material: Load Cell		Stainless steel	
	Built in block	Yellow chromate steel	
Electrical connection		5m shielded four conductor cable	10, 20, 50kN
		10m shielded four conductor cable	100, 200kN
Degree of protection		IP 67	
* Referring to recommended loading case			
** See calibration sheet of the load cell		ATEX certified versions for load cell KOSD-40 in weigh module KOM-1 for use in explosive atmospheres are available: II 1GD. EEx ia IIC T4 T _{amb} = 60°C	
*** -40 to +100°C on demand			

INSTALLATION EXAMPLES

